

THE CHESAPEAKE & OHIO RAILWAY COMPANY

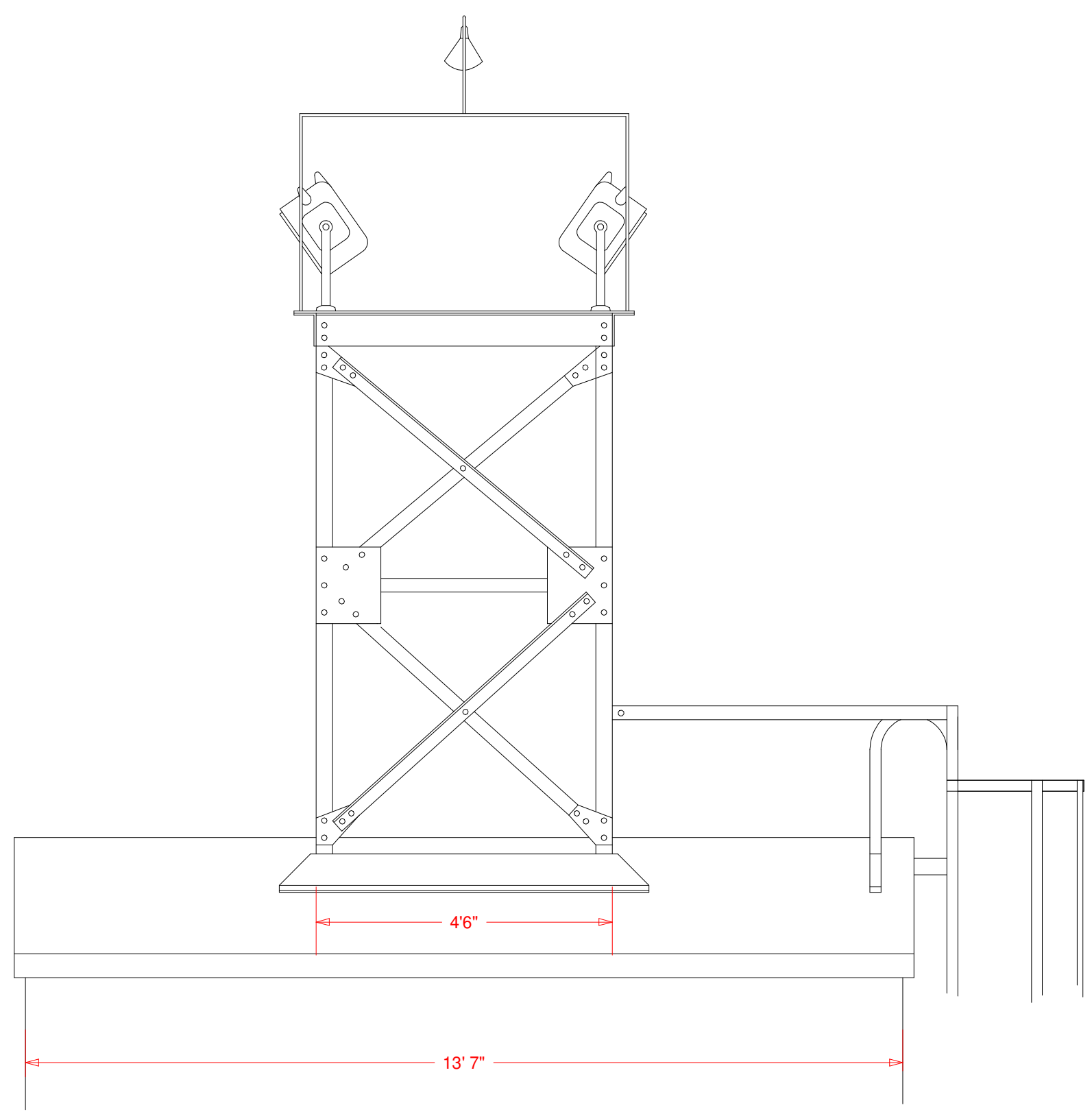
FAIRBANKS, MORSE & COMPANY
800 TON
COALING STATION
AT HINTON

SUMMERS COUNTY - - - WEST VIRGINIA

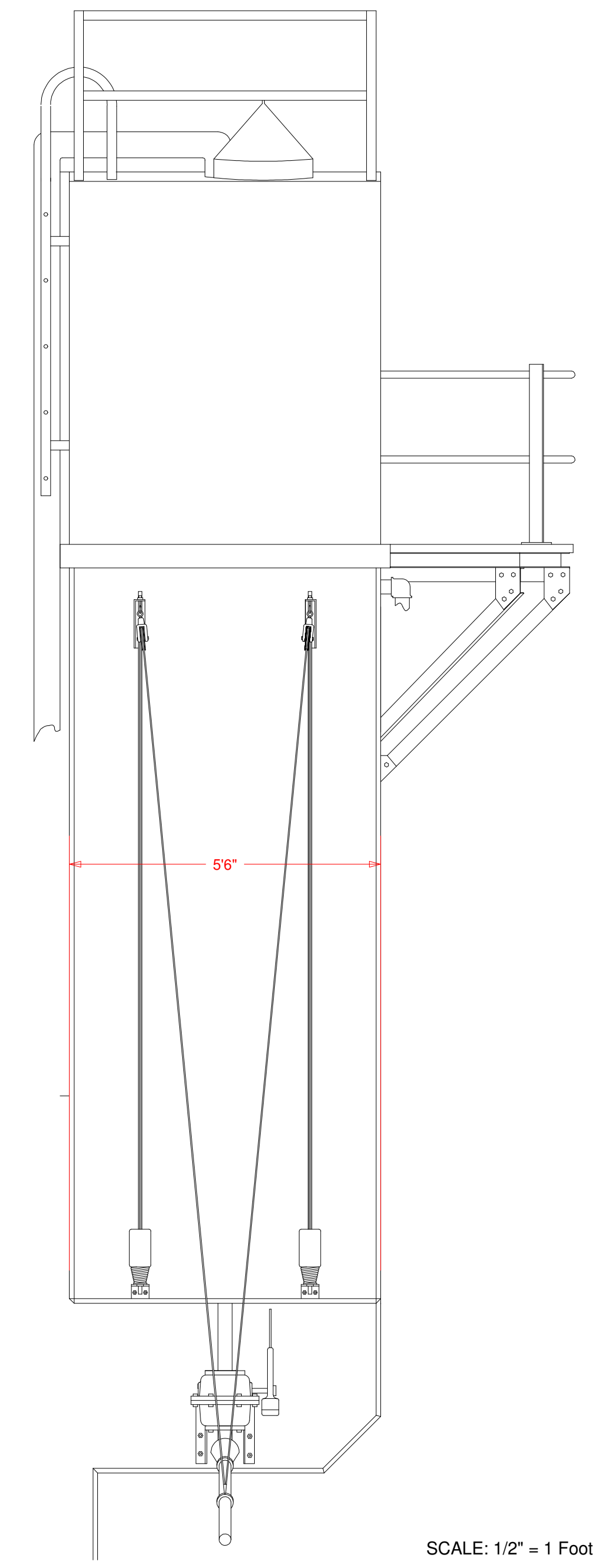
HINTON DIVISION - - - NEW RIVER SUBDIVISION

SCALE: 1/4" = 1 FOOT Copyright 493
CIRCA 1946 WILLIAM E. SIMONTON III ©

Page 3 of 6



SCALE: 1/2" = 1 Foot



SCALE: 1/2" = 1 Foot

SOUTH ELEVATION

