

THE CHESAPEAKE & OHIO RAILWAY COMPANY

FIRE HOSE HOUSE
STRUCTURE NO. 70
AT
HINTON

SUMMERS COUNTY - - - WEST VIRGINIA

HINTON DIVISION - - - NEW RIVER SUBDIVISION

SCALE: 1/4" = 1 FOOT

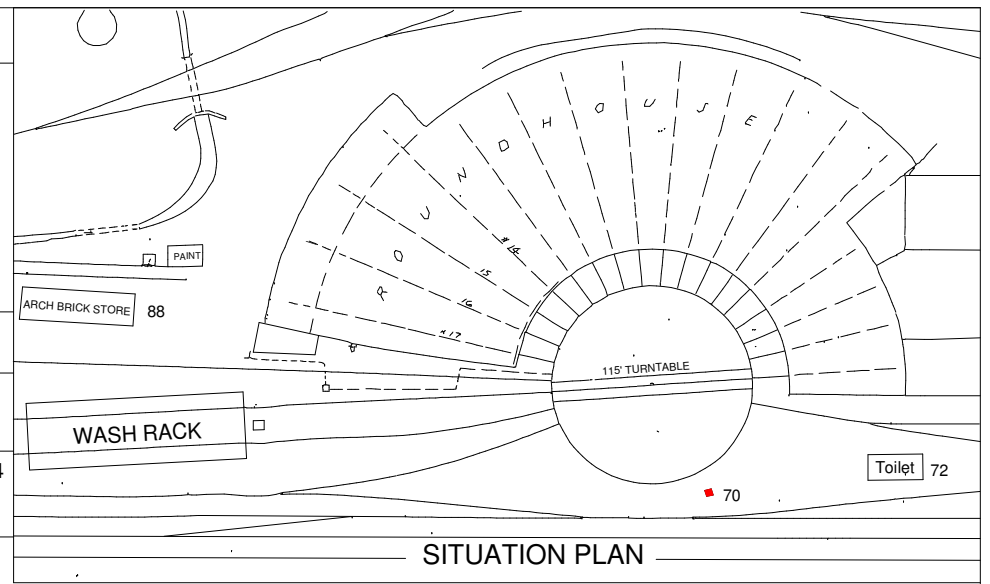
Copyright:

2/2004

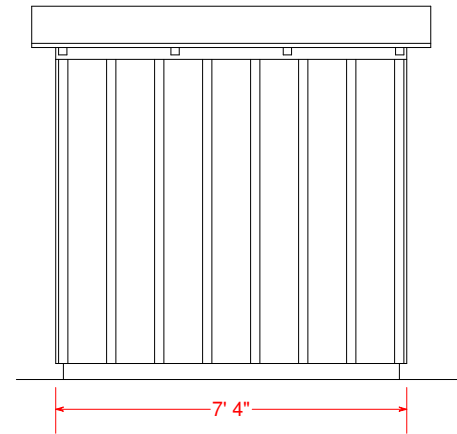
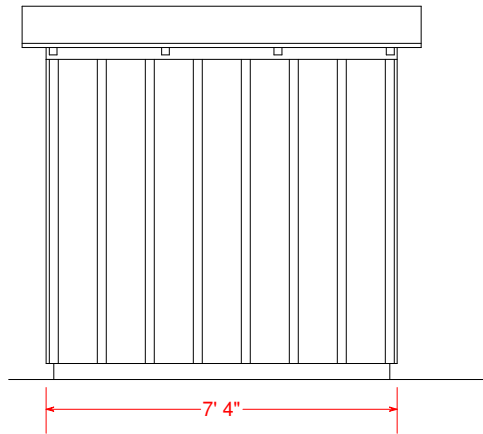
CIRCA 1946

WILLIAM E. SIMONTON III

(C)



Note: Structure painted fire engine red. It was moved after the roundhouse was razed in 1982 and used as a tool shed just to the west of the former location of the roundhouse and partly painted yellow. The faded red remained on the rear and left side.



Note: The side and rear walls are board and batten. The only batten on the front are at the two corners

Note: Building scaled from photos taken by author and assumes that boards are 12" wide - typical for the other C & O wood structures at Hinton measured by author constructed prior to WW II.

