

125 FOOT WASH RACK
CIRCA 1930 - 1947
AT HINTON

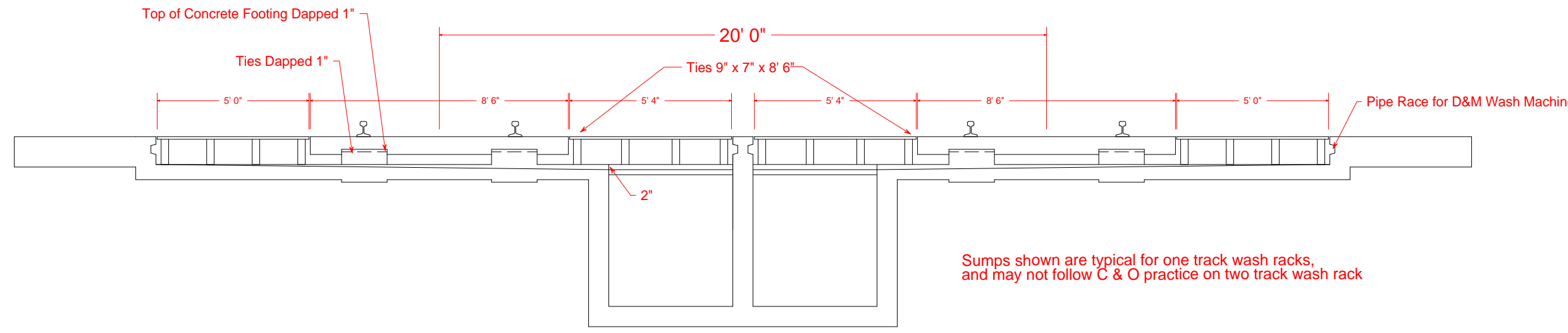
SUMMERS COUNTY - - - WEST VIRGINIA

HINTON DIVISION - - - NEW RIVER SUBDIVISION

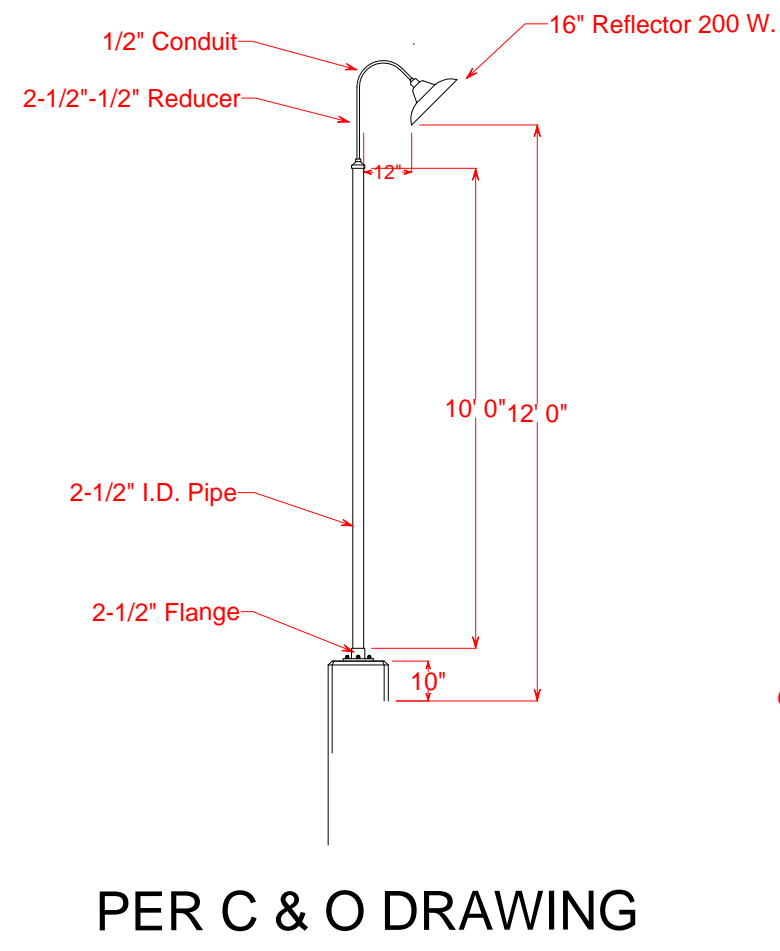
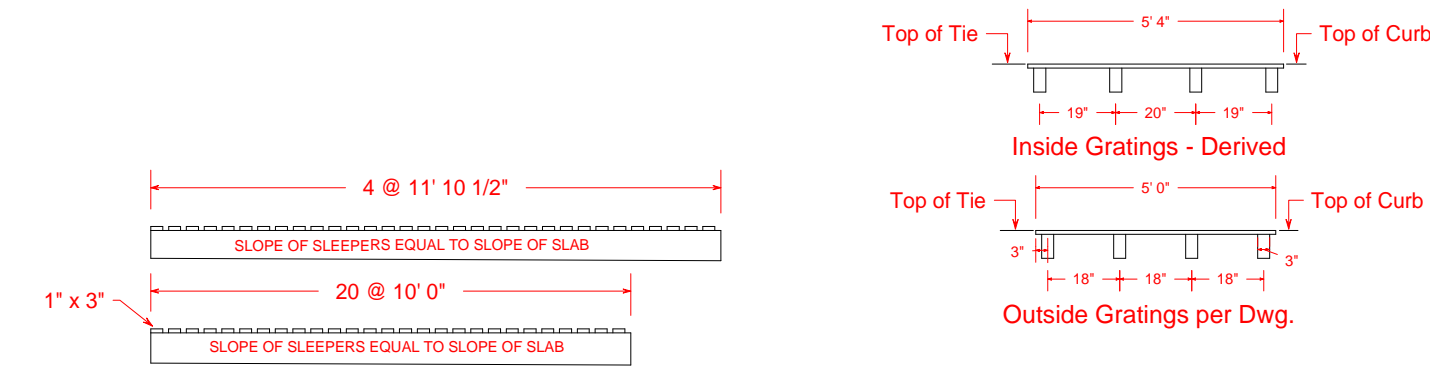
SCALE: 1/4" = 1 FOOT COPYRIGHT BY: 06/2005

CIRCA 1930 - 1947 WILLIAM E. SIMONTON III

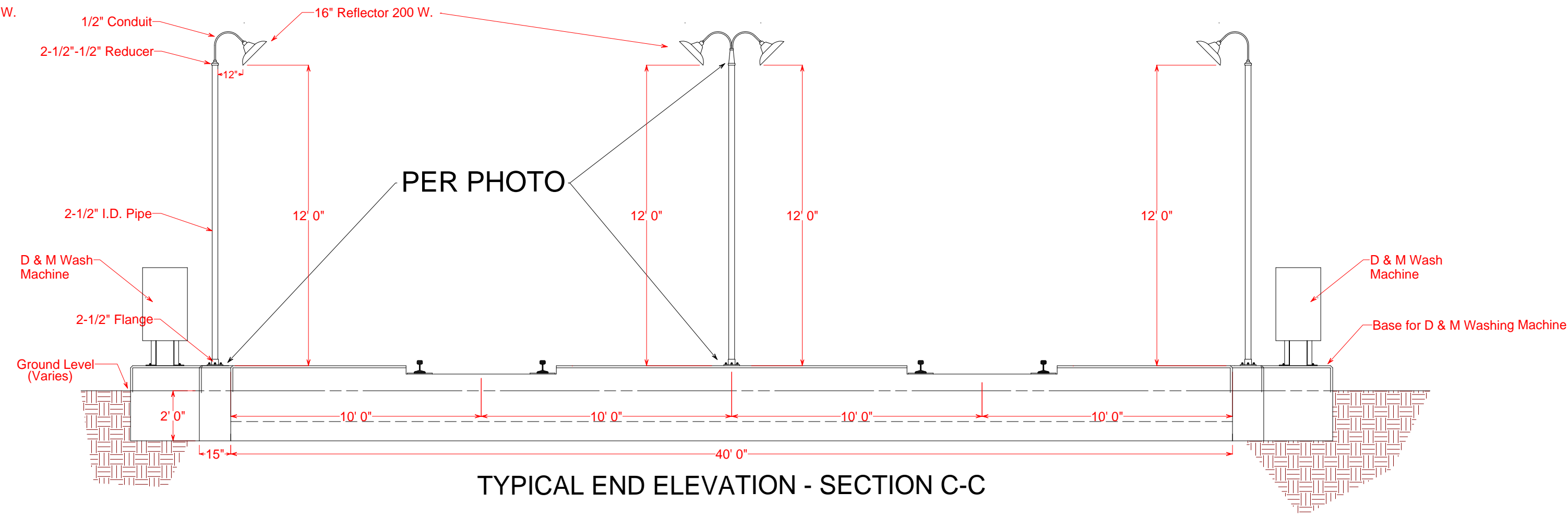
DRAWING FROM C & O STANDARD DESIGN DATED 1924



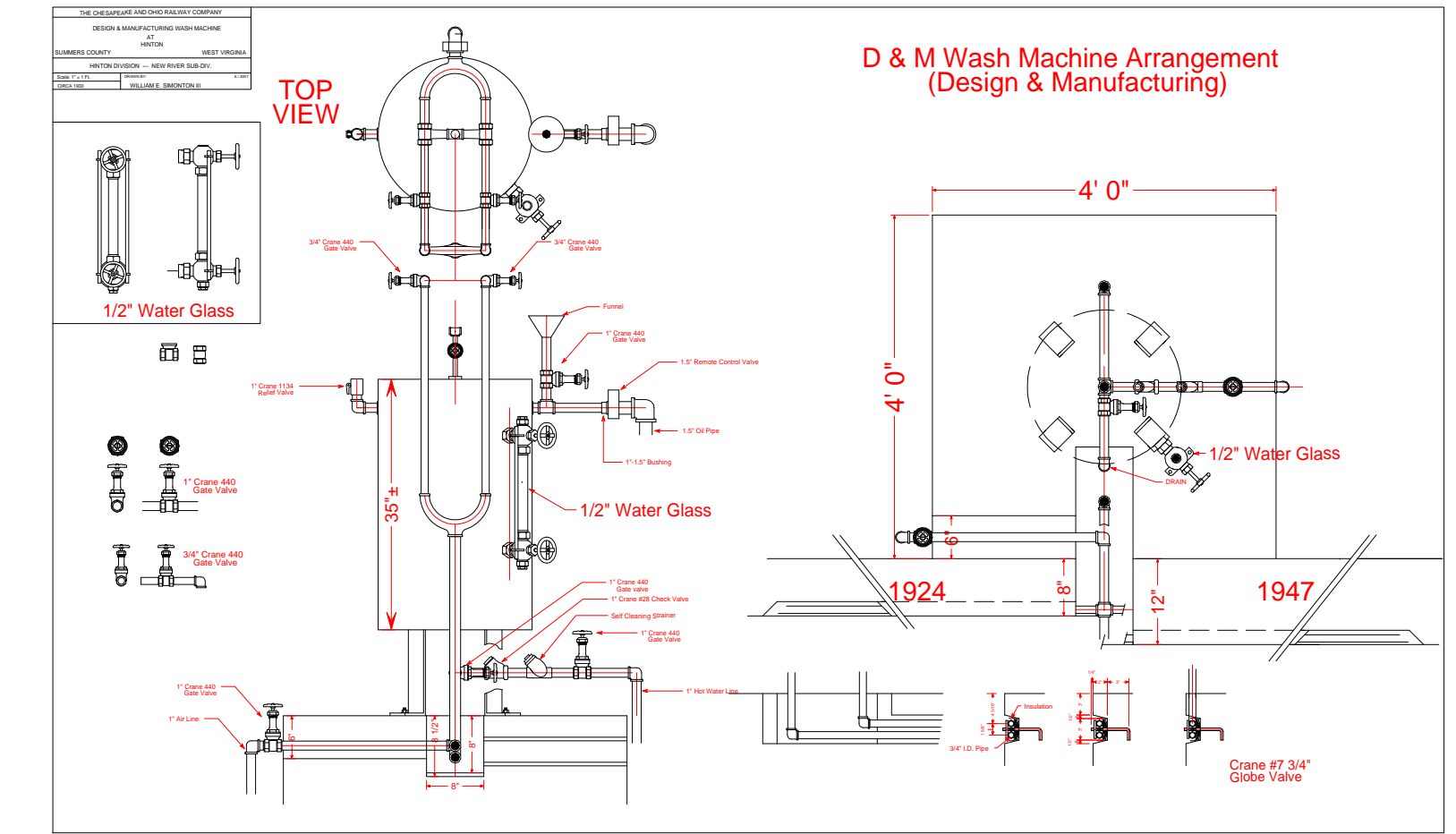
Sumps shown are typical for one track wash racks, and may not follow C & O practice on two track wash rack



PER C & O DRAWING



TYPICAL END ELEVATION - SECTION C-C



Drawing based upon C & O Drwg # S.O. 11-12
Dated August 8, 1924

