

THE CHESAPEAKE & OHIO RAILWAY COMPANY

FAIRBANKS, MORSE & COMPANY
800 TON
COALING STATION
AT STEPHENS YARD, KENTUCKY

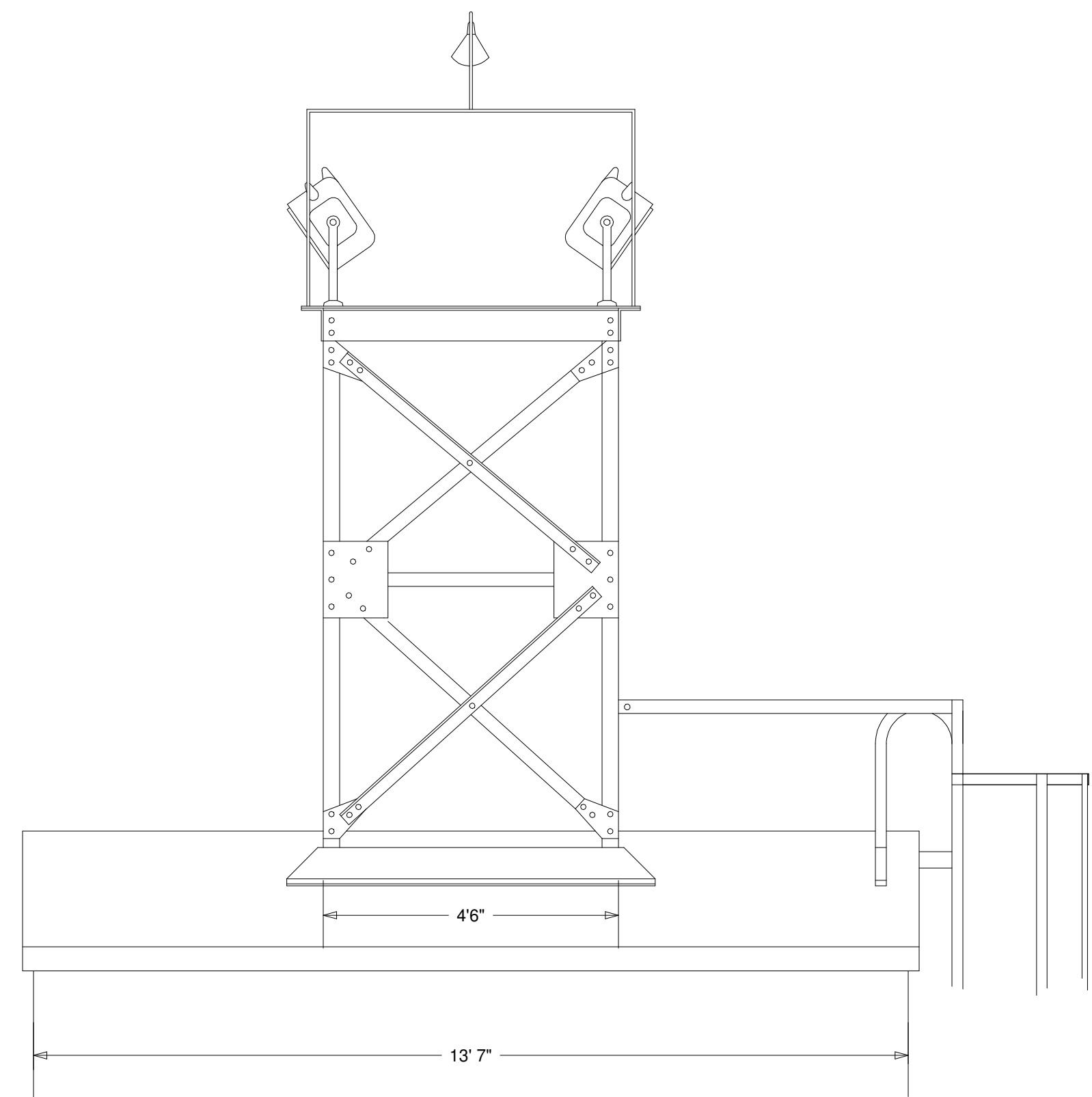
COUNTY - - - KENTUCKY

DIVISION - - - SUBDIVISION

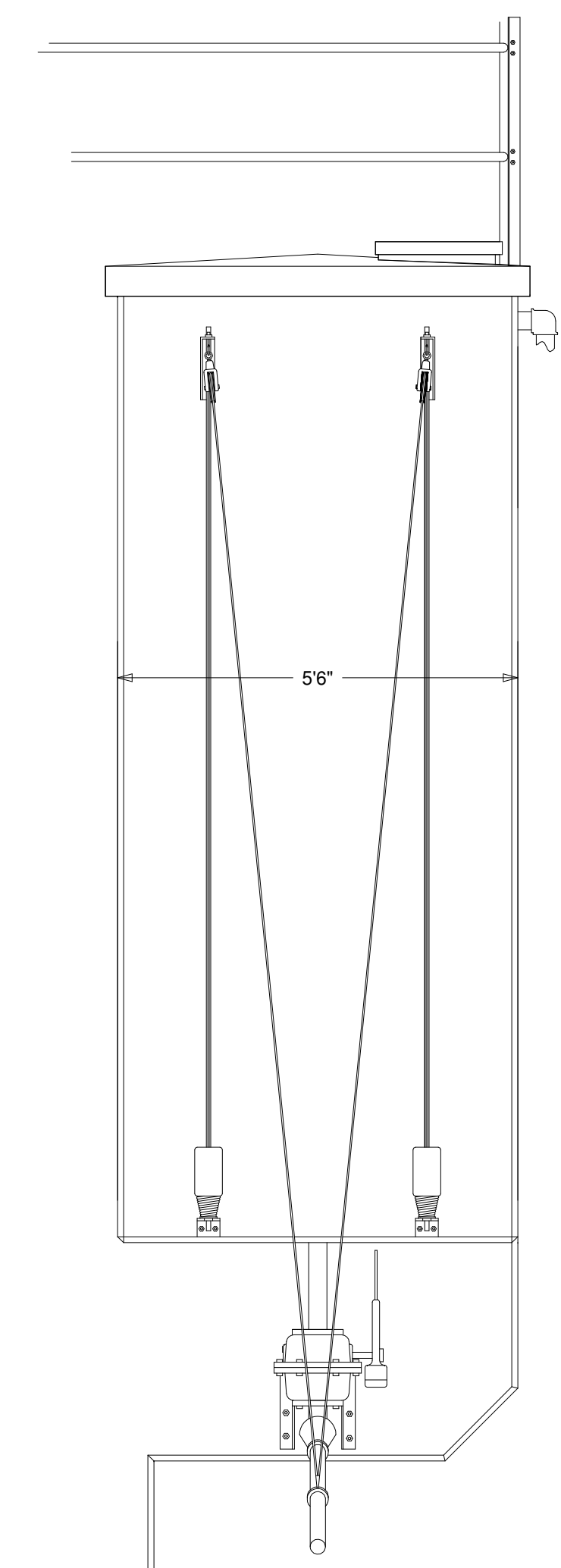
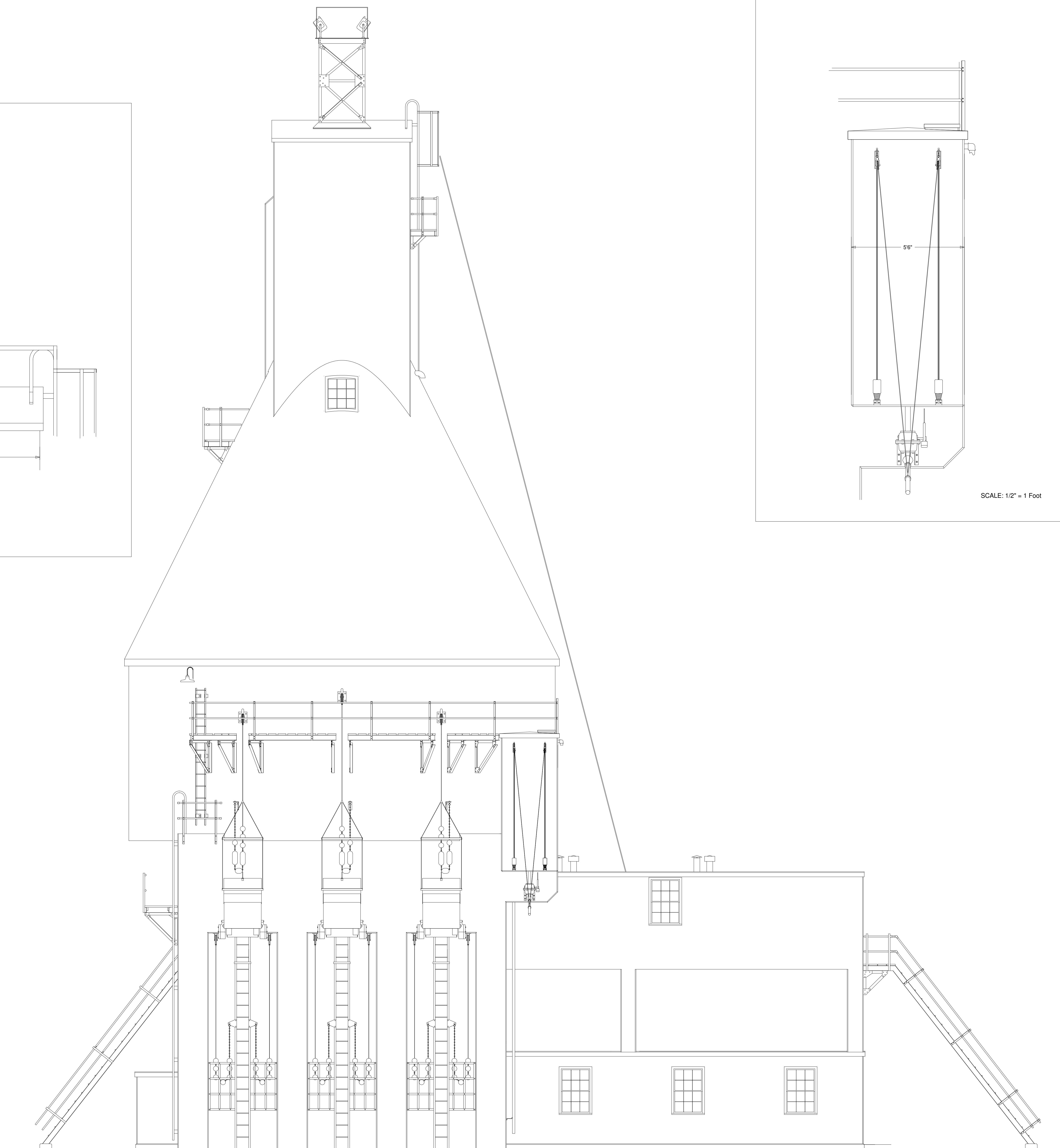
SCALE: 1/4" = 1 FOOT
CIRCA 1948
Page 3 of 4

Copyright
WILLIAM E. SIMONTON III

493
©



SCALE: 1/2" = 1 Foot



SCALE: 1/2" = 1 Foot

0 10' 20' 30'