

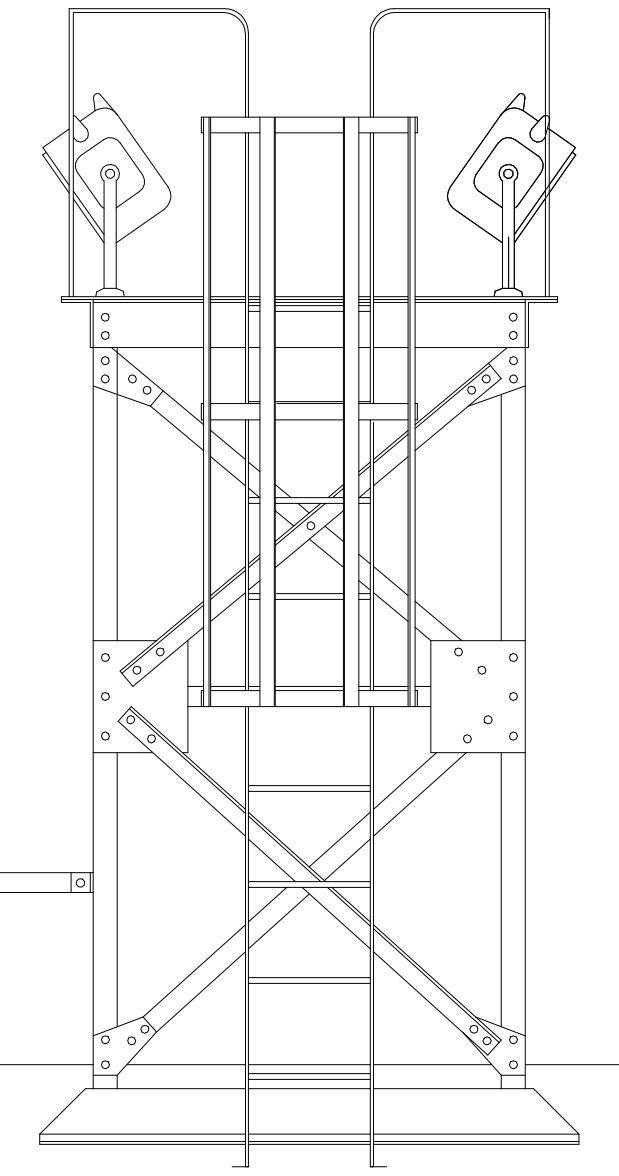
THE CHESAPEAKE & OHIO RAILWAY COMPANY

FAIRBANKS, MORSE & COMPANY  
800 TON  
COALING STATION  
AT HINTON

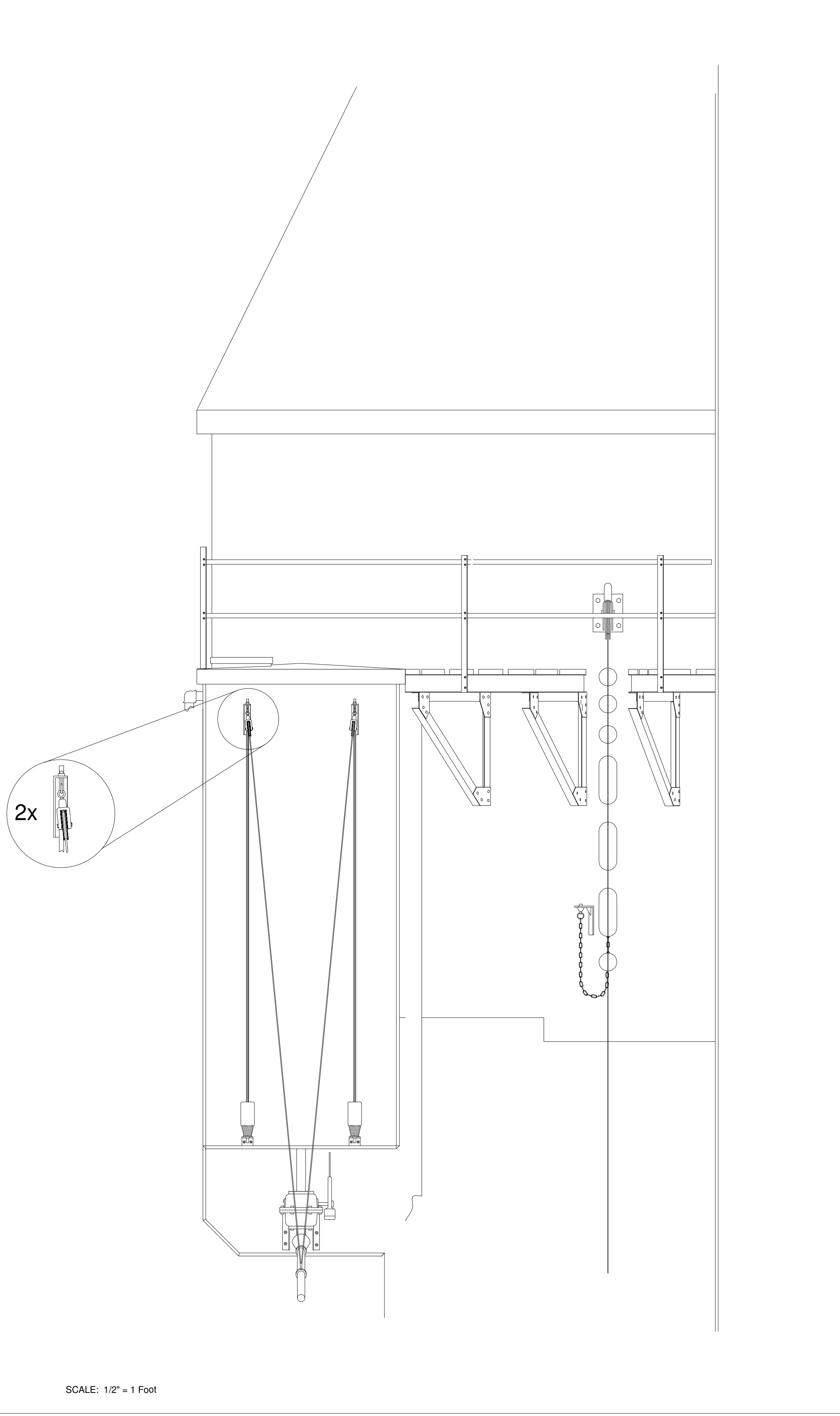
SUMMERS COUNTY - - - WEST VIRGINIA

HINTON DIVISION - - NEW RIVER SUBDIVISION

SCALE: 1/4" = 1 FOOT      Copyright: 493  
CIRCA 1946      WILLIAM E. SIMONTON III      ©  
Page 4 of 6



SCALE: 1/2" = 1 Foot



SCALE: 1/2" = 1 Foot

