

THE CHESAPEAKE & OHIO RAILWAY COMPANY

SCALE HOUSE  
STRUCTURE NO. 33  
AT HINTON

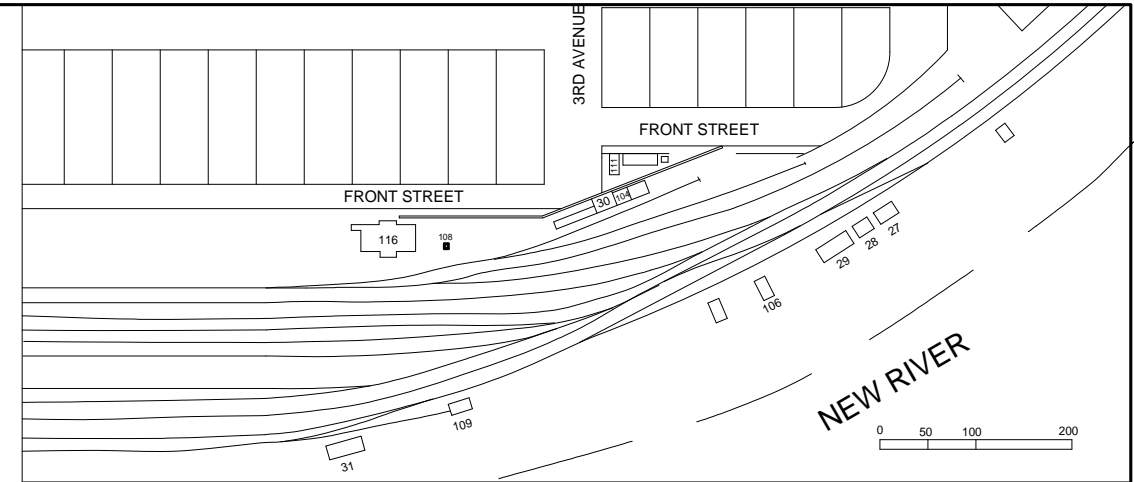
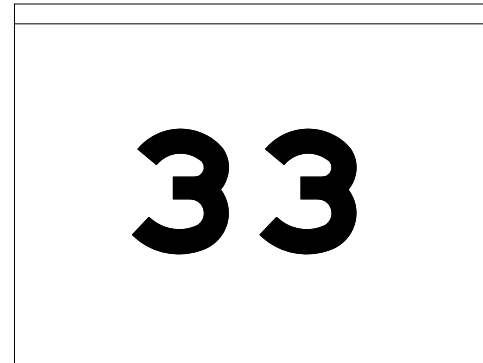
SUMMERS COUNTY - - - WEST VIRGINIA

HINTON DIVISION - - - NEW RIVER SUBDIVISION

SCALE: 1/4" = 1 FOOT  
CIRCA 1930 - 1986

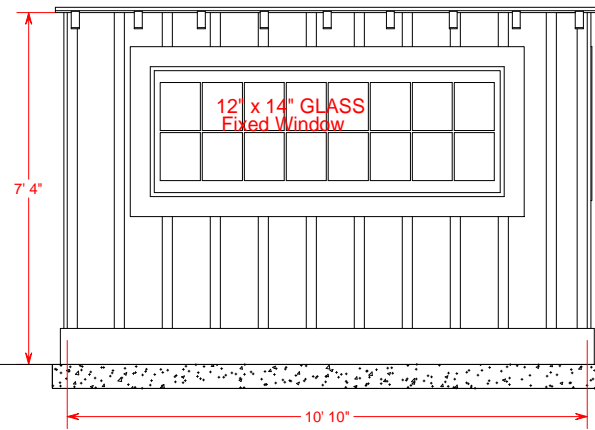
COPYRIGHT BY:  
WILLIAM E. SIMONTON III

01/2011  
©



AS BUILT STANDARD SCALE HOUSE

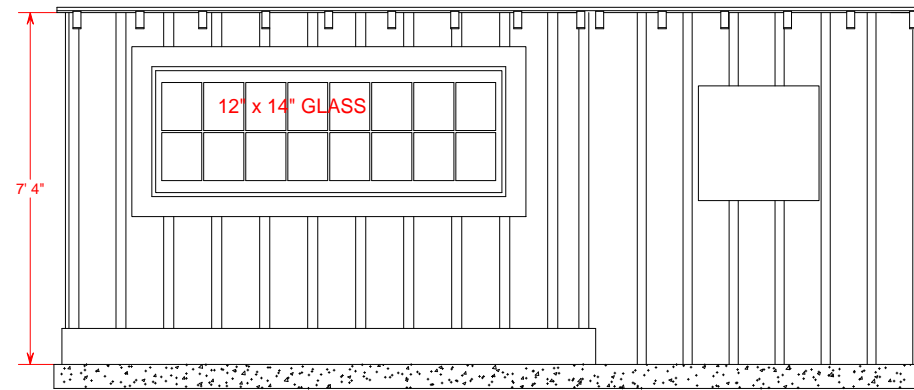
AS MODIFIED TO ACCOMODATE  
BAR CODE READER IN THE  
LATE 1960'S OR EARLY 1970'S.



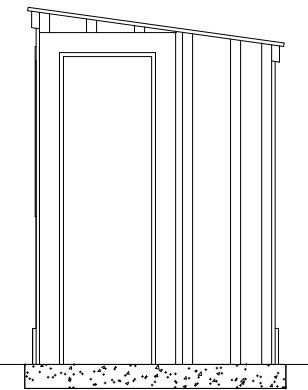
RAILROAD NORTH ELEVATION



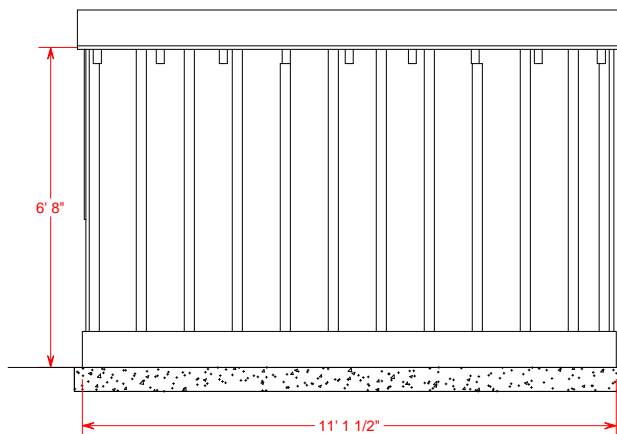
WEST ELEVATION



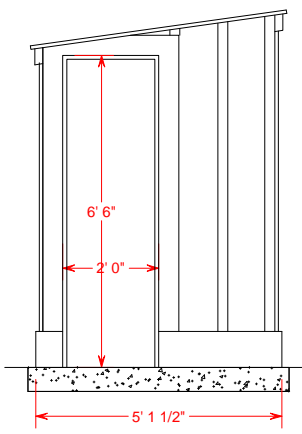
NORTH ELEVATION



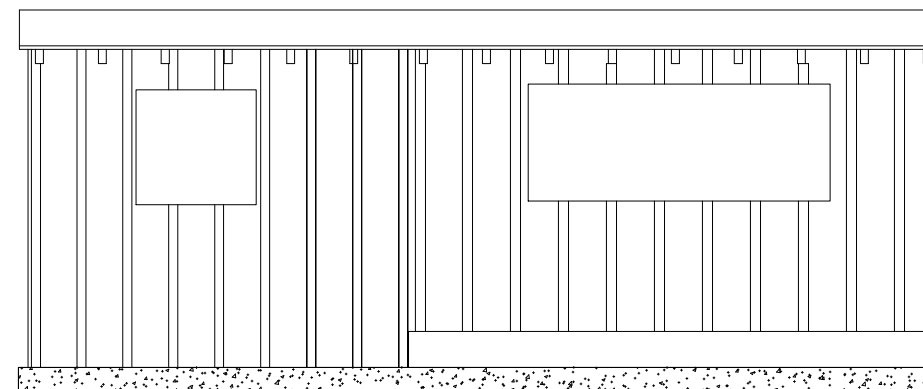
WEST ELEVATION



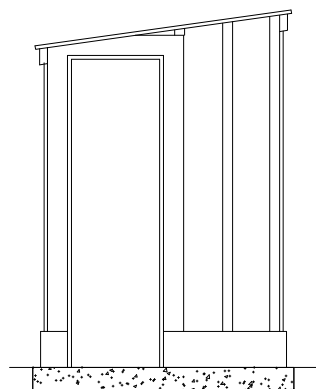
RAILROAD SOUTH ELEVATION



EAST ELEVATION



SOUTH ELEVATION



EAST ELEVATION

STRUCTURE RAZED 1986