

THE CHESAPEAKE AND OHIO RAILWAY COMPANY

RE-ARRANGEMENT OF ROBERTSON CINDER CONVEYOR
AT
PHOEBUS, VIRGINIA
TRANSFERRED FROM HINTON (1943)

DIVISION --- SUB-DIV.

Scale: 1/4" = 1 Ft.

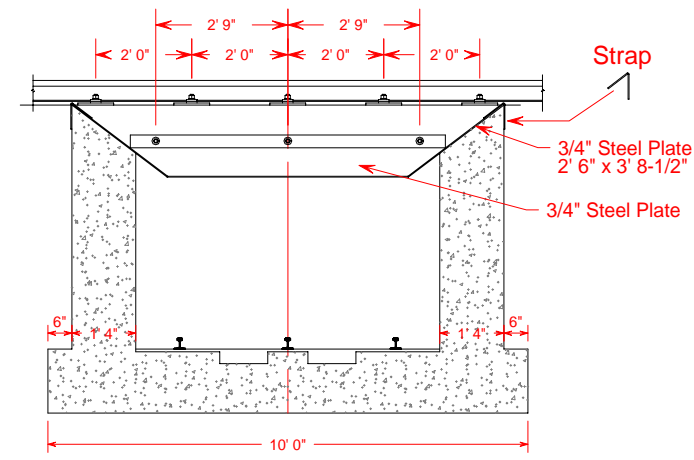
DRAWN BY:

2 / 2009

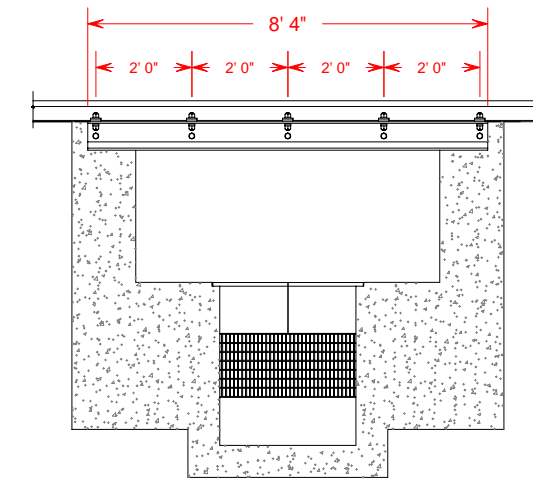
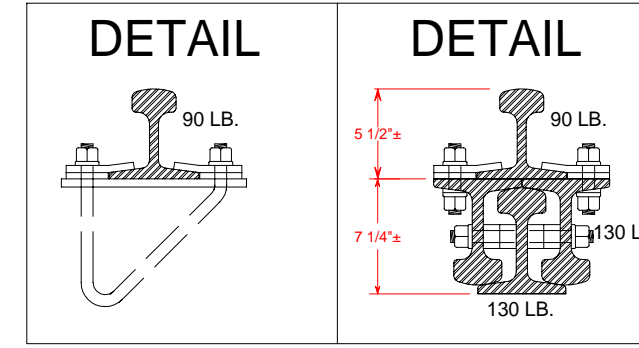
CIRCA 1943

WILLIAM E. SIMONTON III

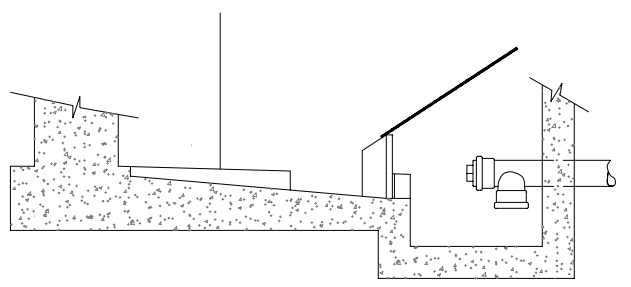
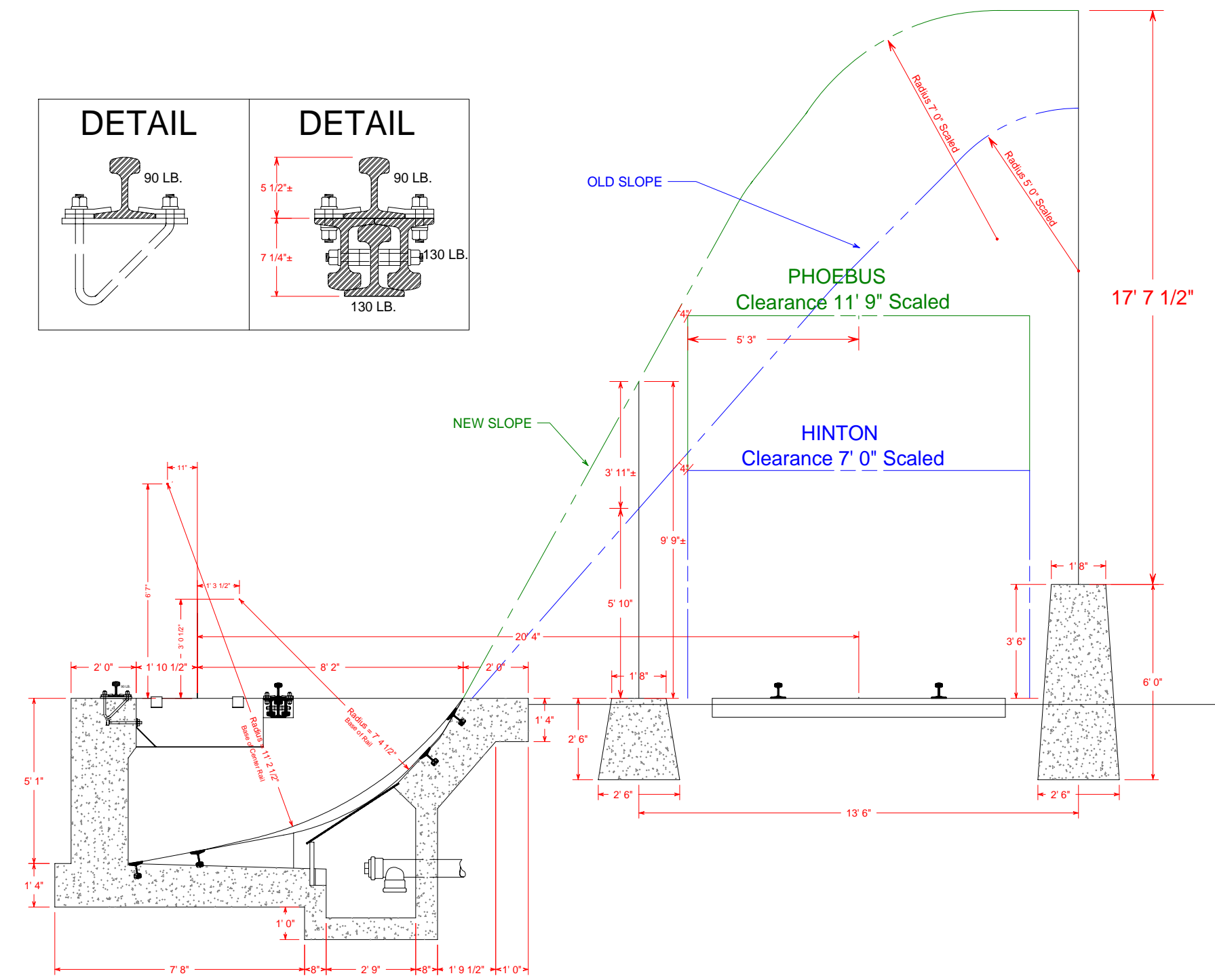
Dimensions taken and derived from C & O Dwg. 18010



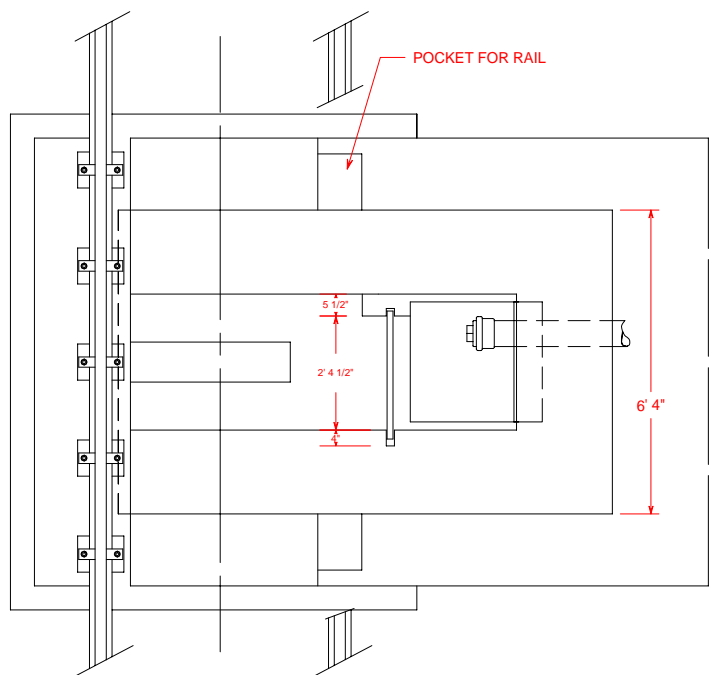
SECTION A - A



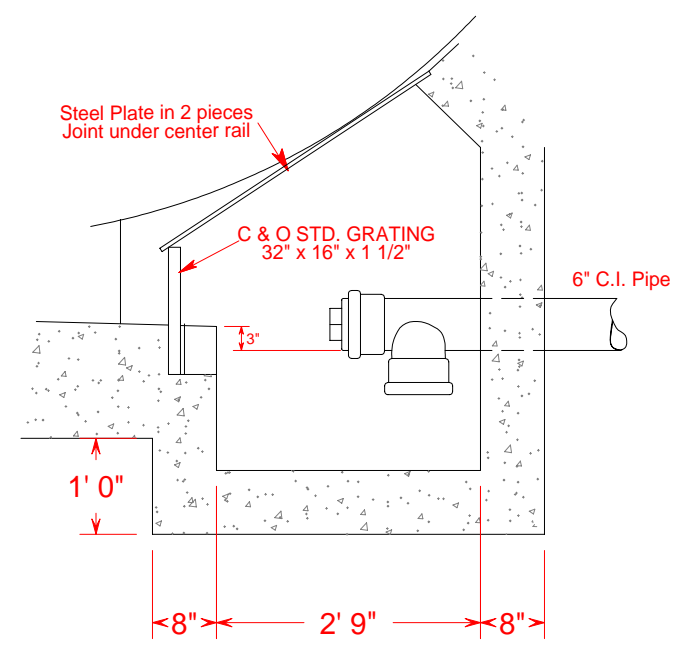
SECTION B - B



SECTION DETAIL PIT CENTER LINE



RAIL REMOVED FOR CLARITY



DETAIL

