

THE CHESAPEAKE & OHIO RAILWAY COMPANY

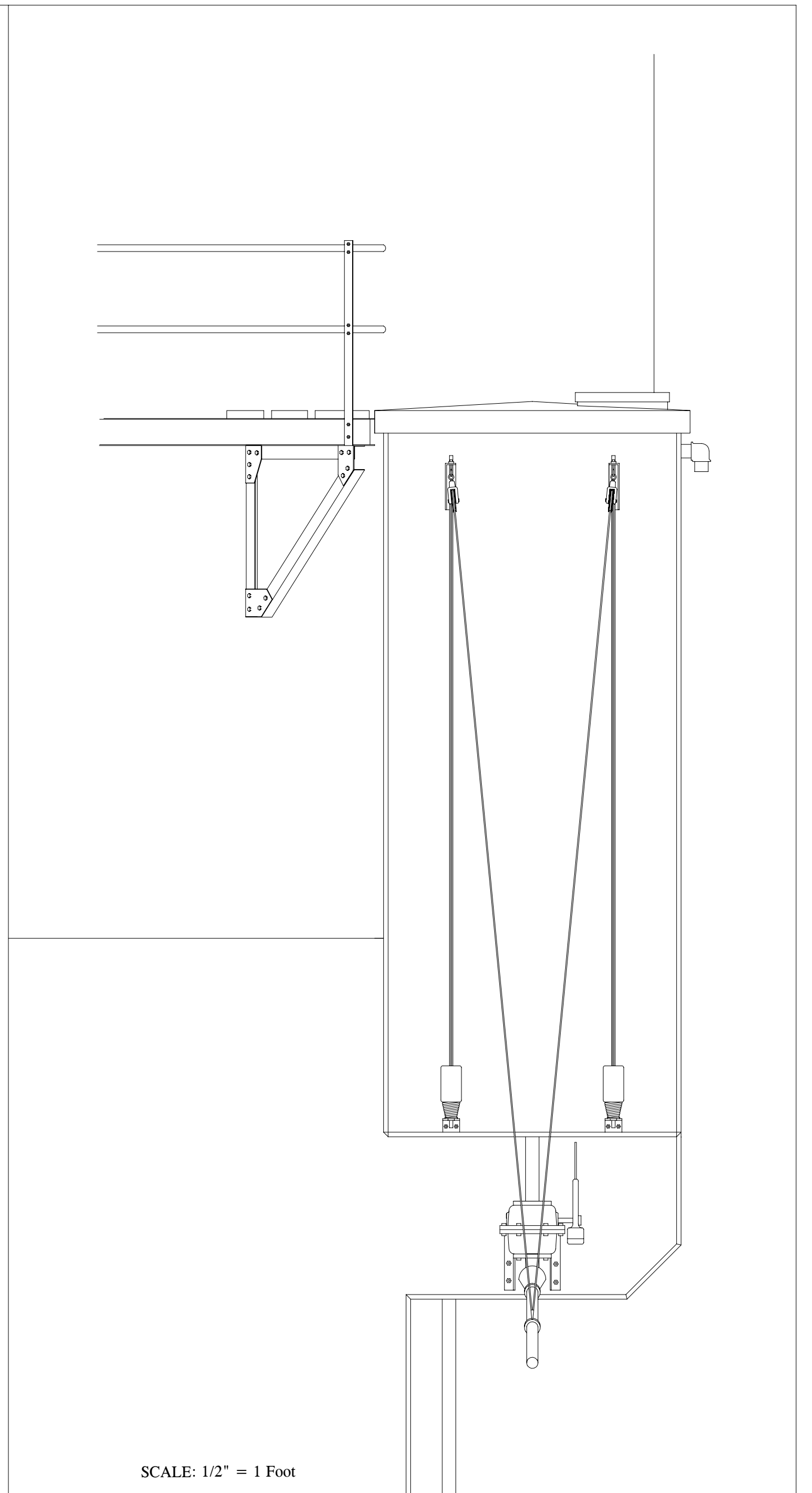
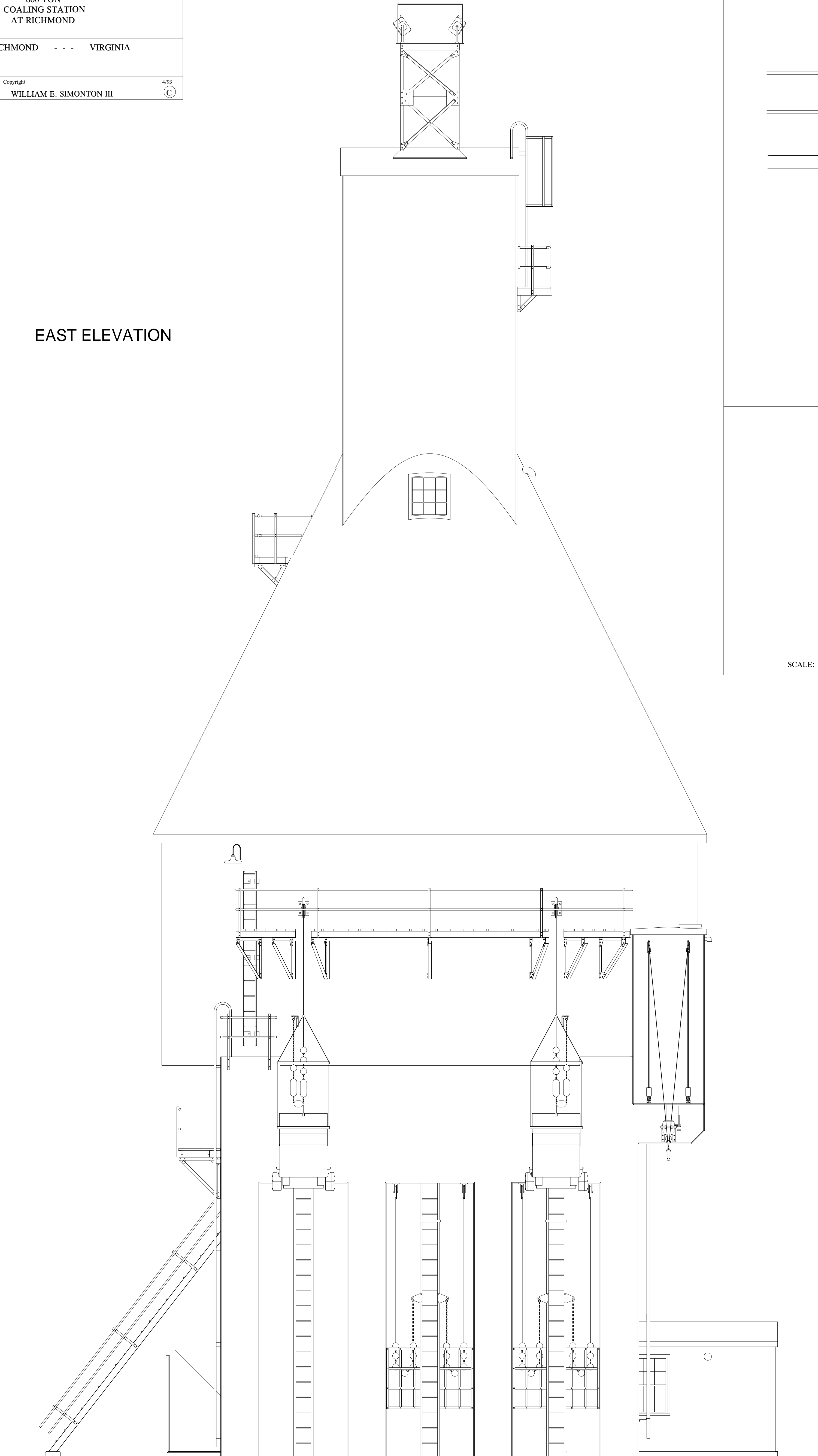
FAIRBANKS, MORSE & COMPANY
800 TON
COALING STATION
AT RICHMOND

CITY OF RICHMOND - - - VIRGINIA

SCALE: 1/4" = 1 FOOT
CIRCA 1946
Page 4 of 6

Copyright: 493
WILLIAM E. SIMONTON III ©

EAST ELEVATION



SCALE: 1/2" = 1 Foot

