

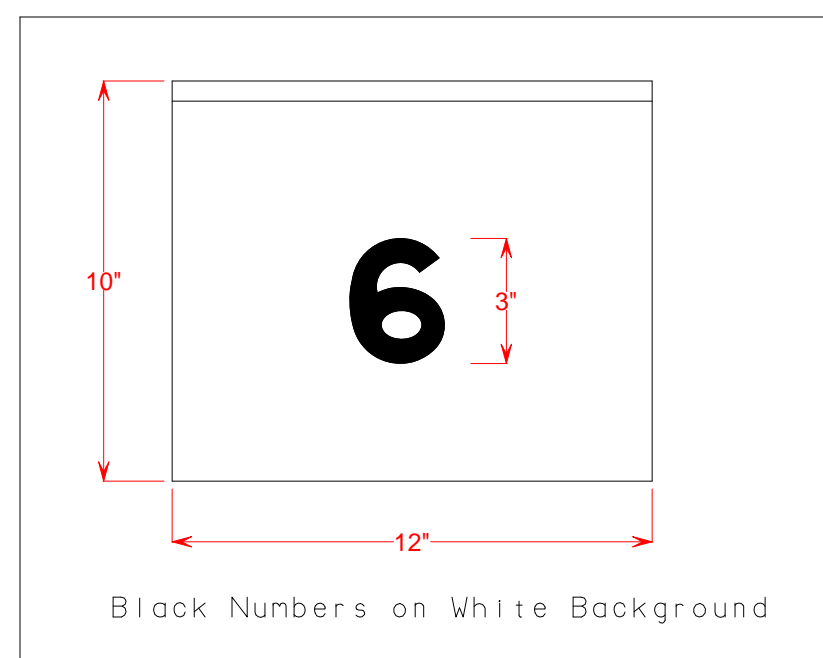
REAR AIRMEN'S SHANTY
STRUCTURE NO. 6
AT
HINTON

SUMMERS COUNTY WEST VIRGINIA

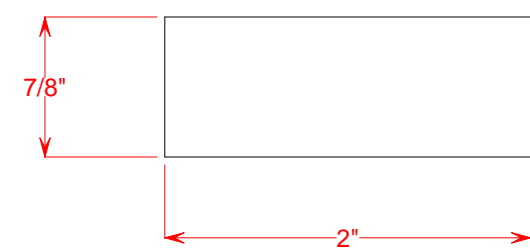
HINTON DIVISION --- NEW RIVER SUB-DIV.

SCALE: 1/4" = 1' COPYRIGHT BY: 5/87
CIRCA 1946 WILLIAM E. SIMONTON III

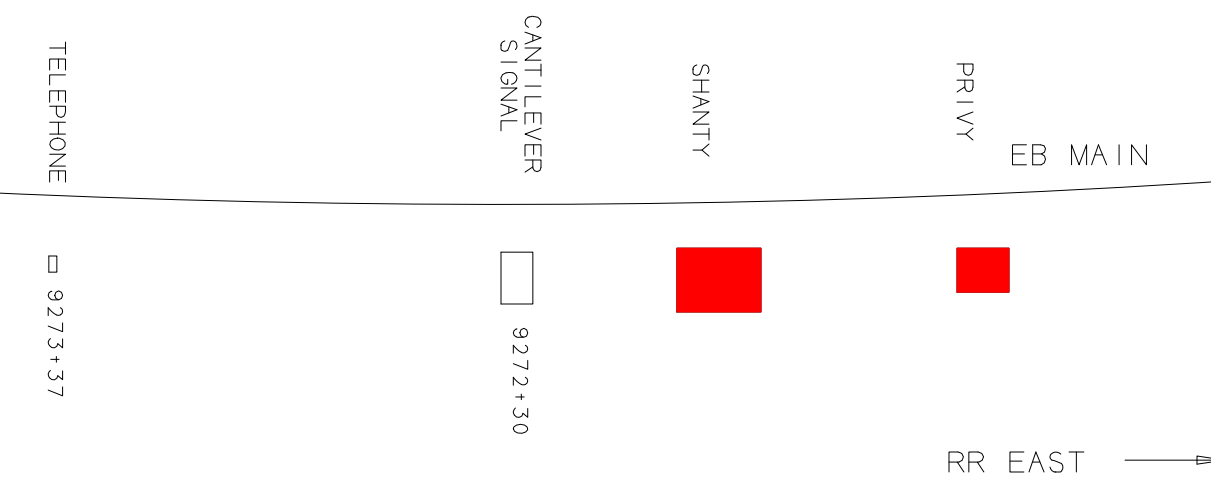
Copies of these drawings may be made for noncommercial use only



BATTEN
DETAIL
(Cross Section)

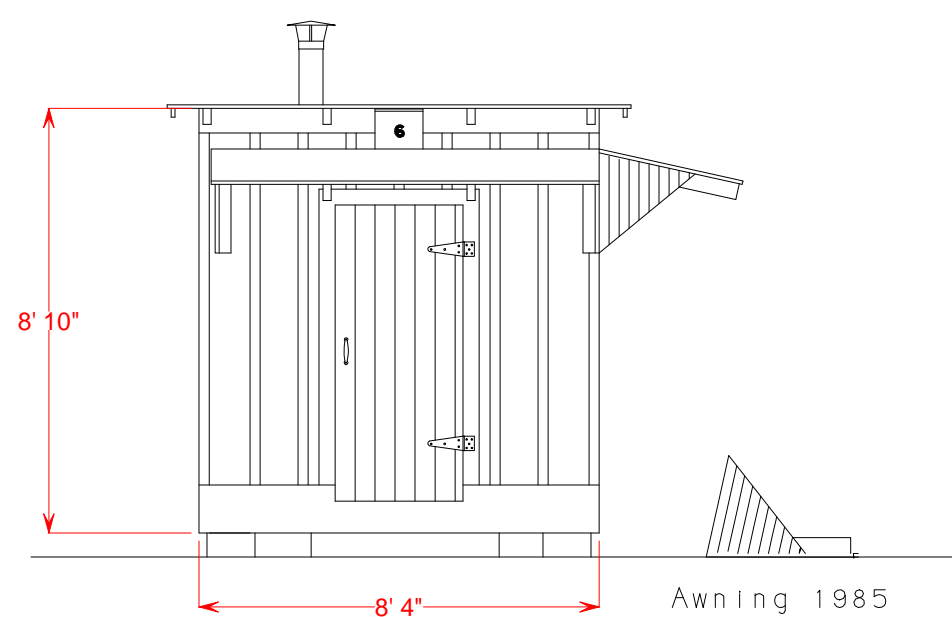


SIGNAL, SHANTY, & PRIVY SITUATE APPROXIMATELY 600 FEET WEST OF BUILDING NO. 31, ON THE RIVER SIDE OF THE C & O AND ACROSS FROM THE SITE OF THE MALLET ENGINE HOUSE AT THE FOOT OF 5TH AVENUE

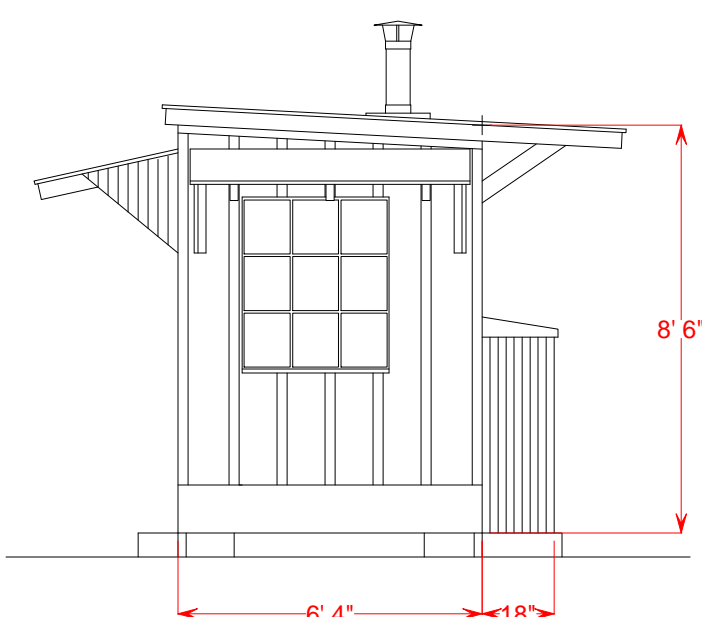


NOT TO SCALE

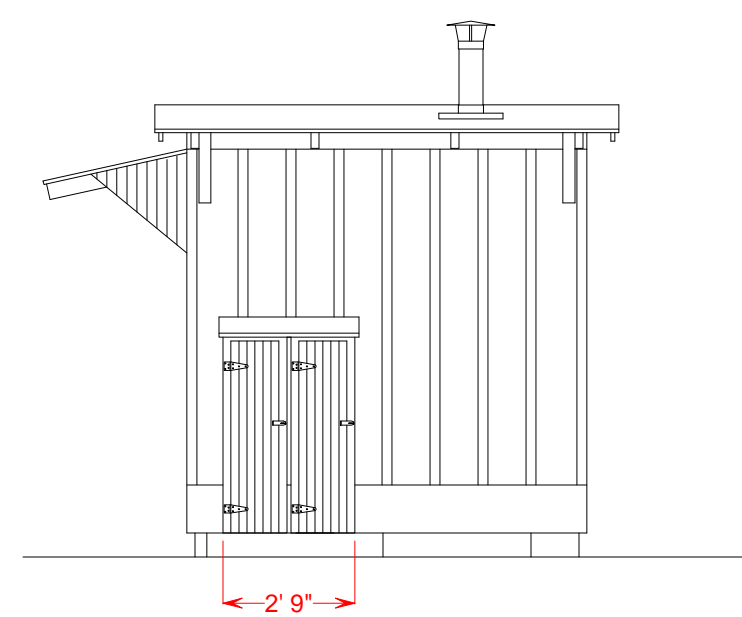
NOTE: See C & O POWER, Top of Page 323



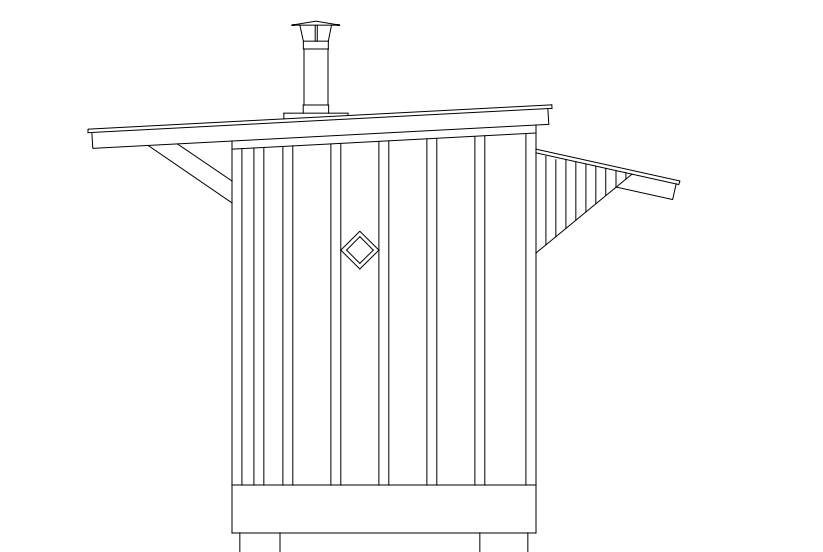
NORTH ELEVATION



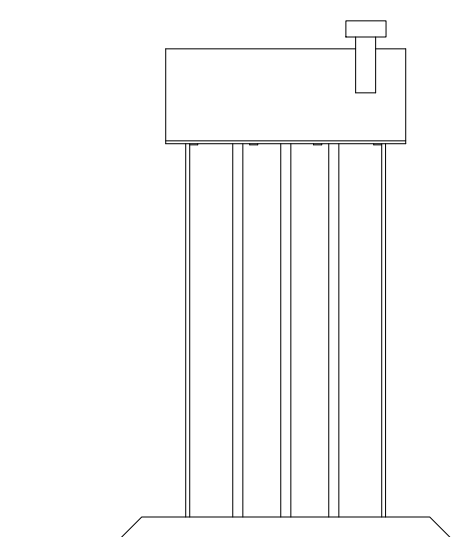
WEST ELEVATION



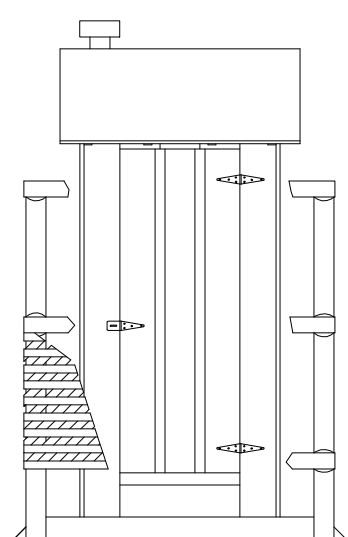
SOUTH ELEVATION



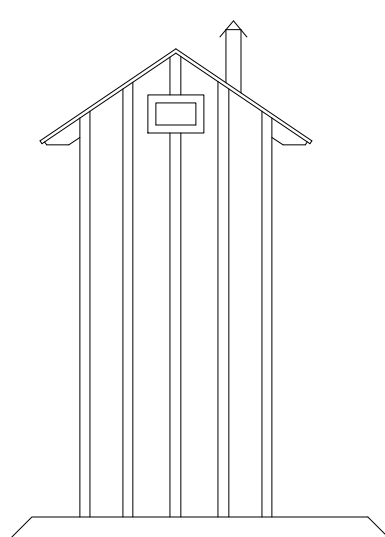
EAST ELEVATION



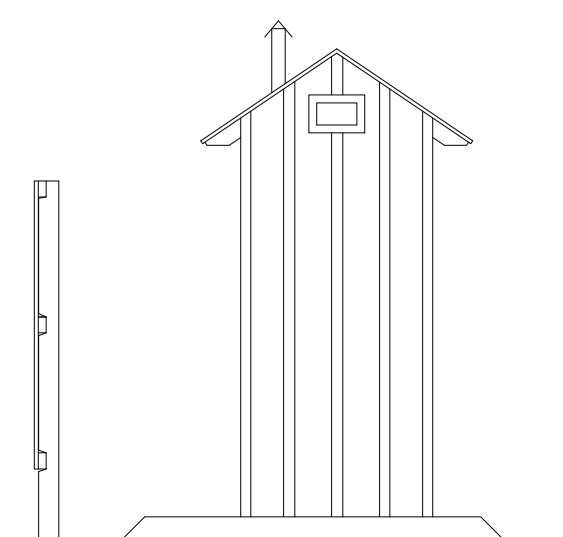
SOUTH ELEVATION



NORTH ELEVATION



EAST ELEVATION



WEST ELEVATION

For Additional Details of Privy See Drawing No. SC-64 STANDARD PRIVY

Structure Build Date Unknown
Structure Razed Late 1985

The Structure Identification and Number are Educated Judgments
and both are a Subject of Further Research

