

THE CHESAPEAKE & OHIO RAILWAY COMPANY

FAIRBANKS, MORSE & COMPANY
200 TON
SAND BUNKER
AT HINTON

SUMMERS COUNTY - - - WEST VIRGINIA

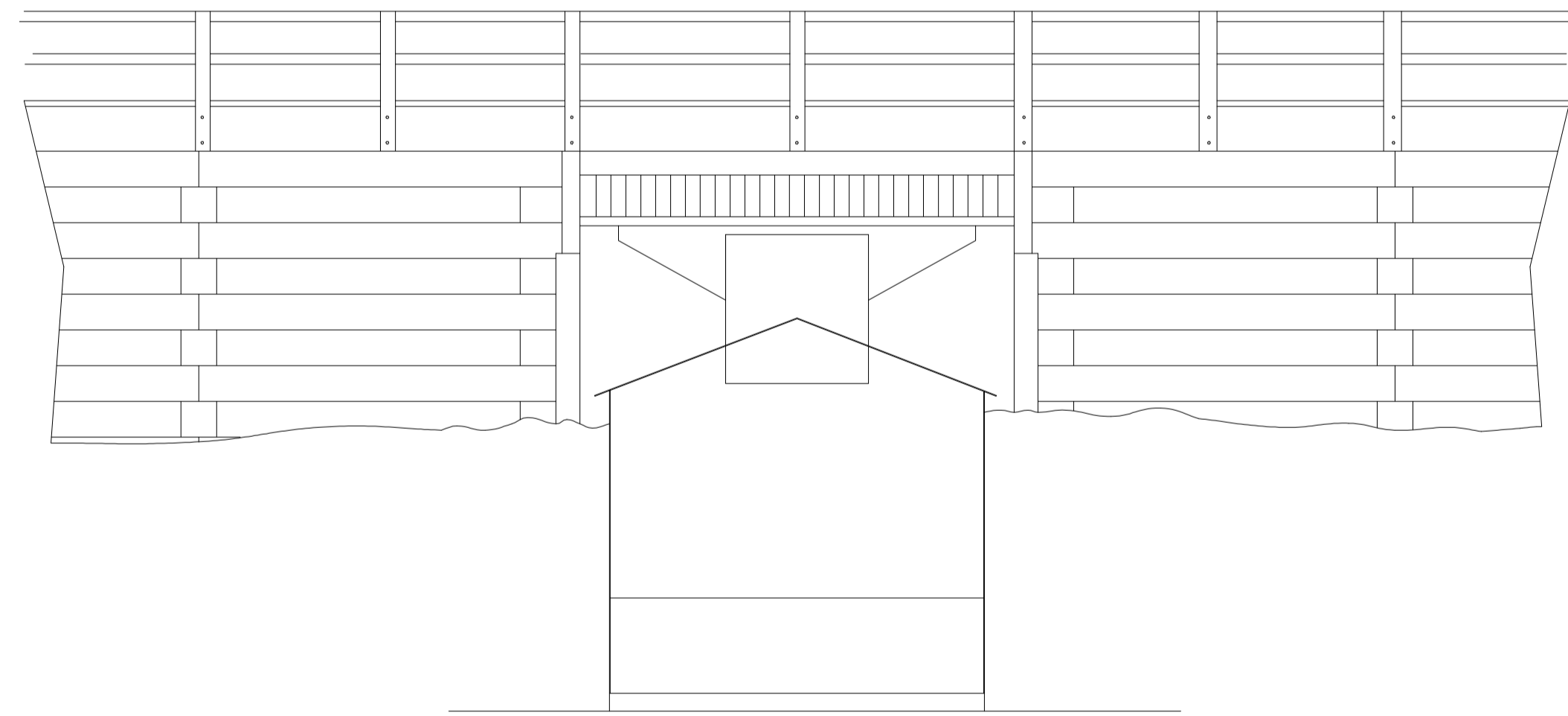
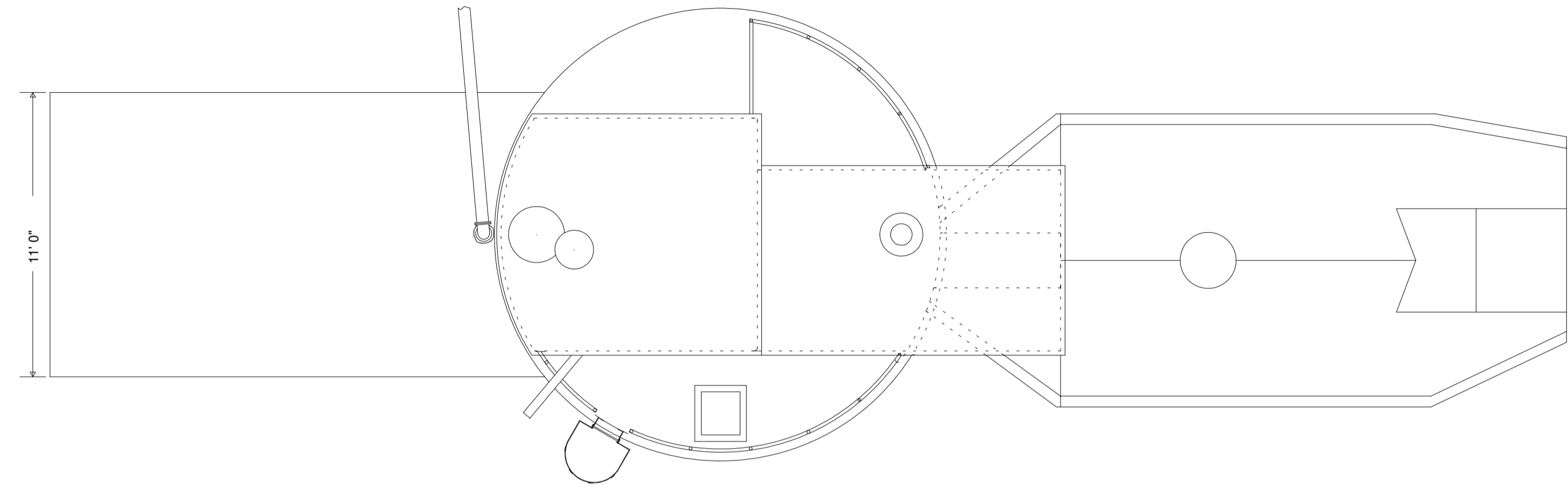
HINTON DIVISION -- NEW RIVER SUBDIVISION

SCALE: 1/4" = 1 FT
CIRCA 1946
Page 3 of 3

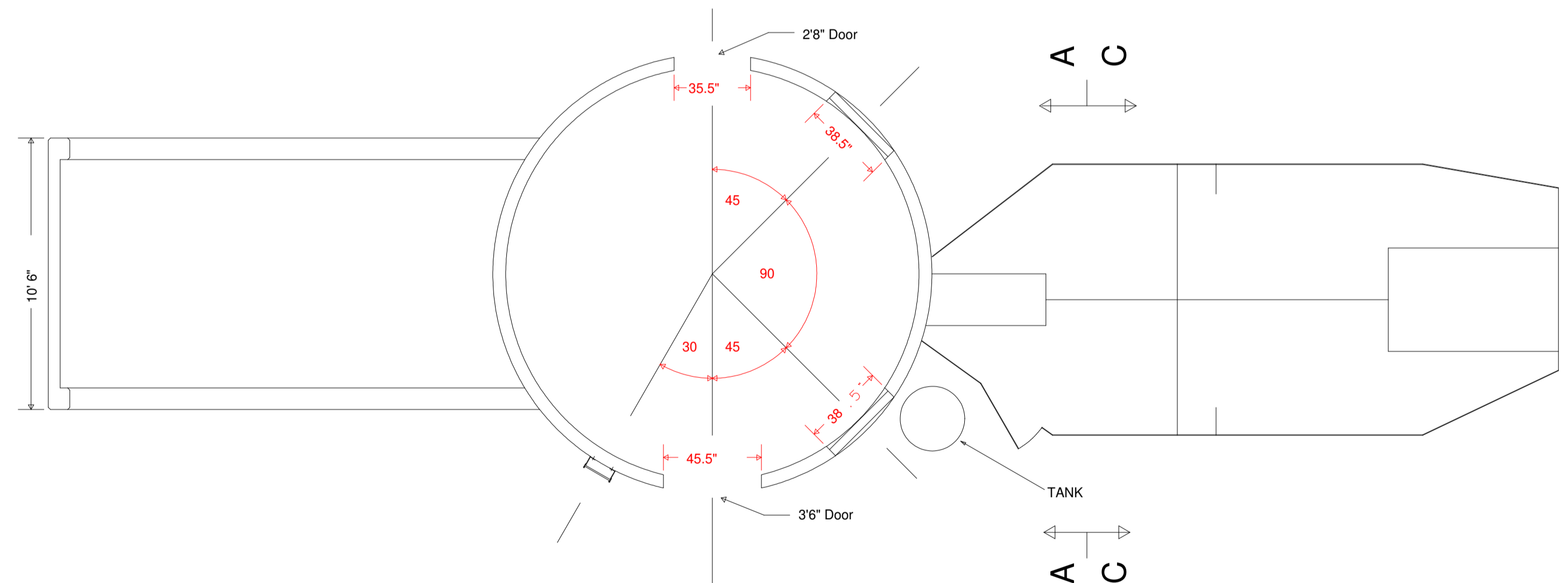
Copyright:
WILLIAM E. SIMONTON III

4/93
©

OVERHEAD VIEW



SECTION C-C



SECTION B-B

