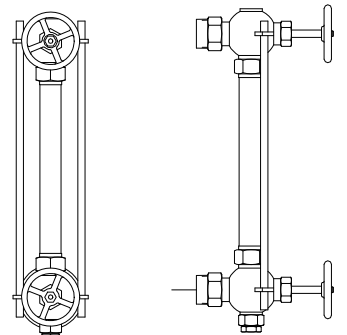
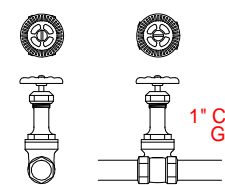


THE CHESAPEAKE AND OHIO RAILWAY COMPANY  
 DESIGN & MANUFACTURING WASH MACHINE  
 AT HINTON  
 SUMMERS COUNTY WEST VIRGINIA  
 HINTON DIVISION --- NEW RIVER SUB-DIV.  
 Scale: 1" = 1 Ft. DRAWN BY: 6 / 2007  
 C/RCA 1930 WILLIAM E. SIMONTON III

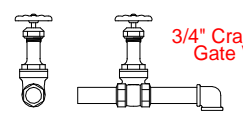
**TOP VIEW**



1/2" Water Glass



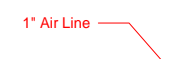
1" Crane 440 Gate Valve



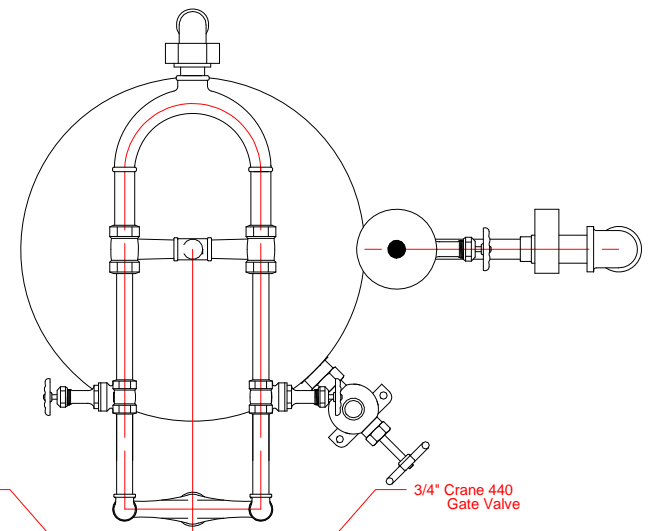
3/4" Crane 440 Gate Valve



1" Crane 440 Gate Valve



1" Air Line



3/4" Crane 440 Gate Valve

35" ±

1/2" Water Glass

1" Crane 1134 Relief Valve

Funnel

1" Crane 440 Gate Valve

1.5" Remote Control Valve

1.5" Oil Pipe

1"-1.5" Bushing

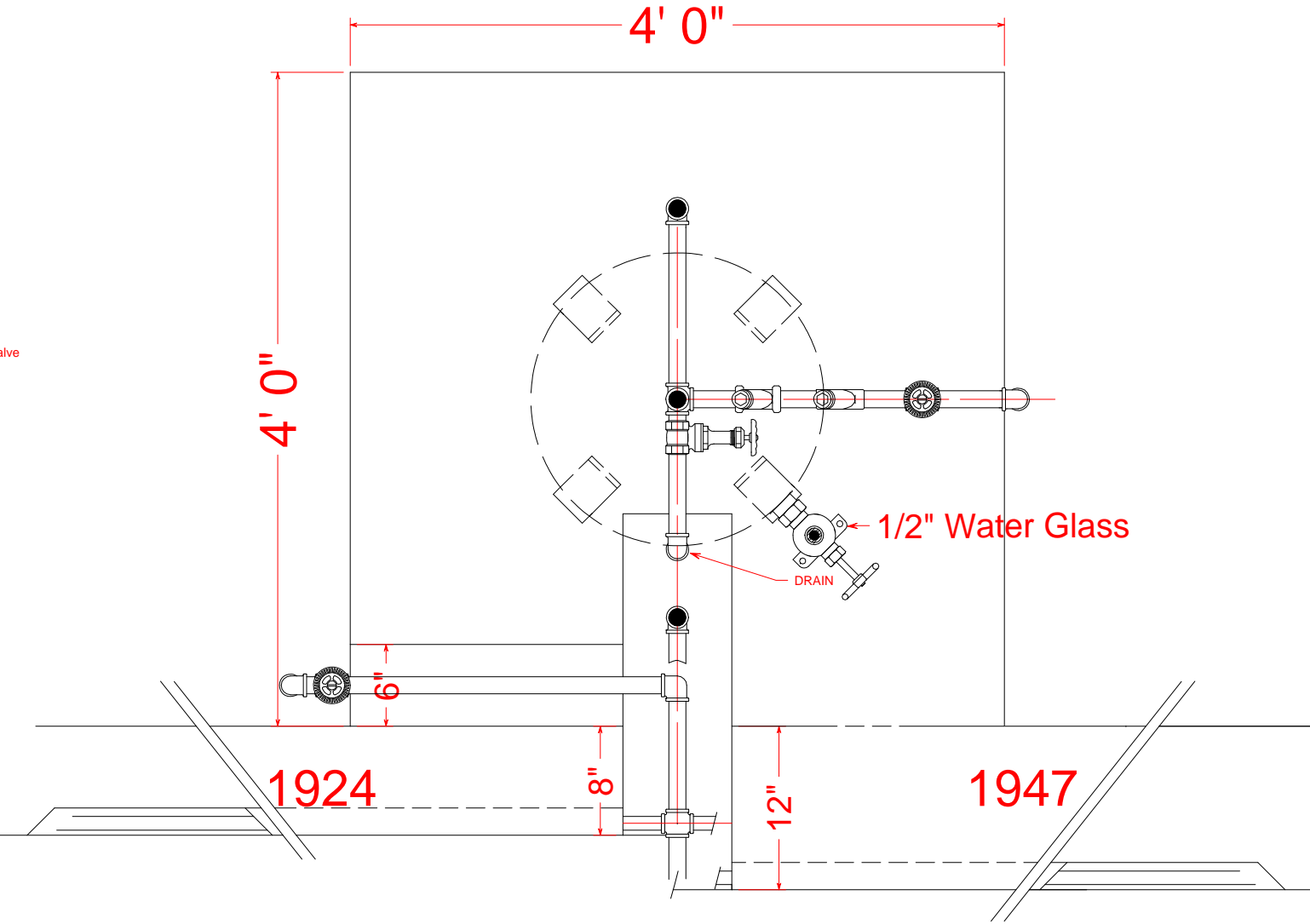
1" Crane 440 Gate valve

1" Crane #28 Check Valve

Self Cleaning Strainer

1" Crane 440 Gate Valve

1" Hot Water Line



**D & M Wash Machine Arrangement (Design & Manufacturing)**

4' 0"

4' 0"

1/2" Water Glass

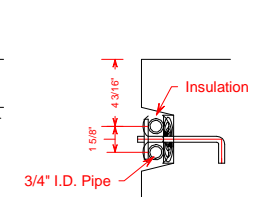
DRAIN

1924

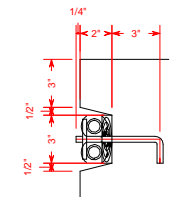
8"

12"

1947



3/4" I.D. Pipe



Crane #7 3/4" Globe Valve