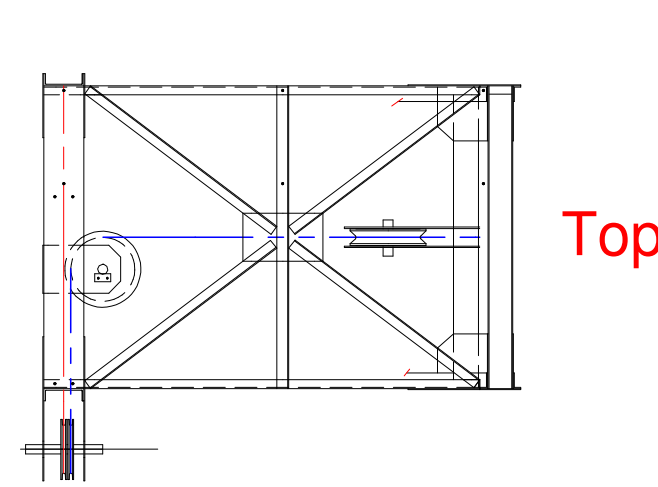
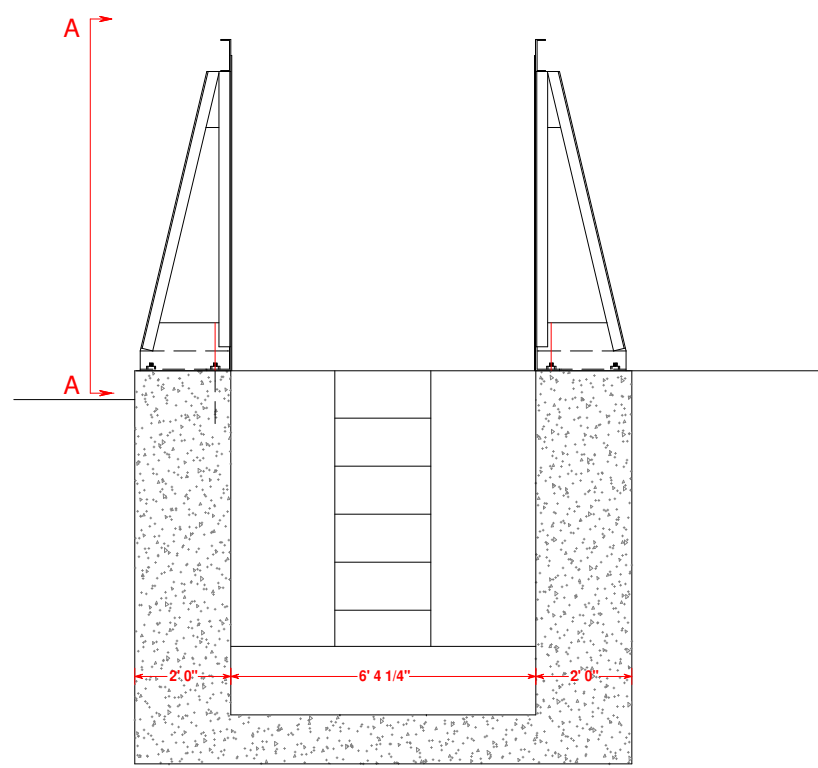
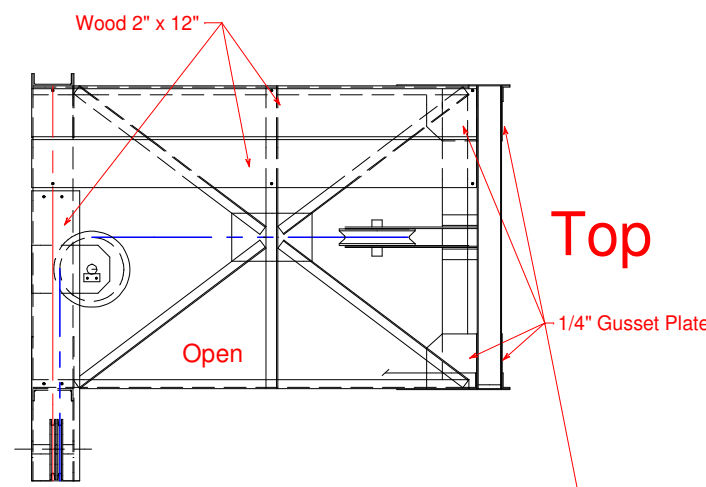


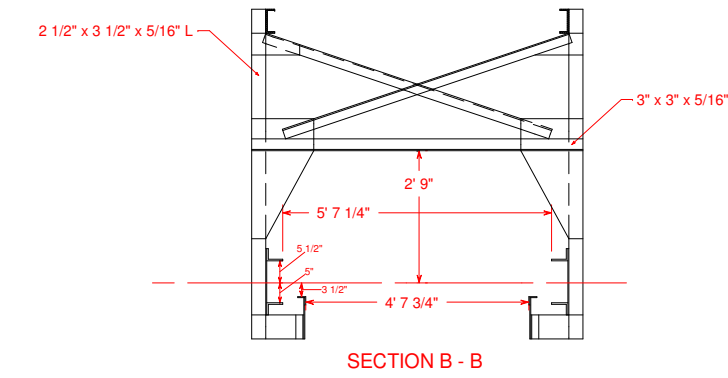
NOTES: Gusset Plates 1/4"
Bolts & Rivets 5/8"
Open Holes 11/16"
Field Connections Bolted
Shop Paint One Coat
Black Graphite



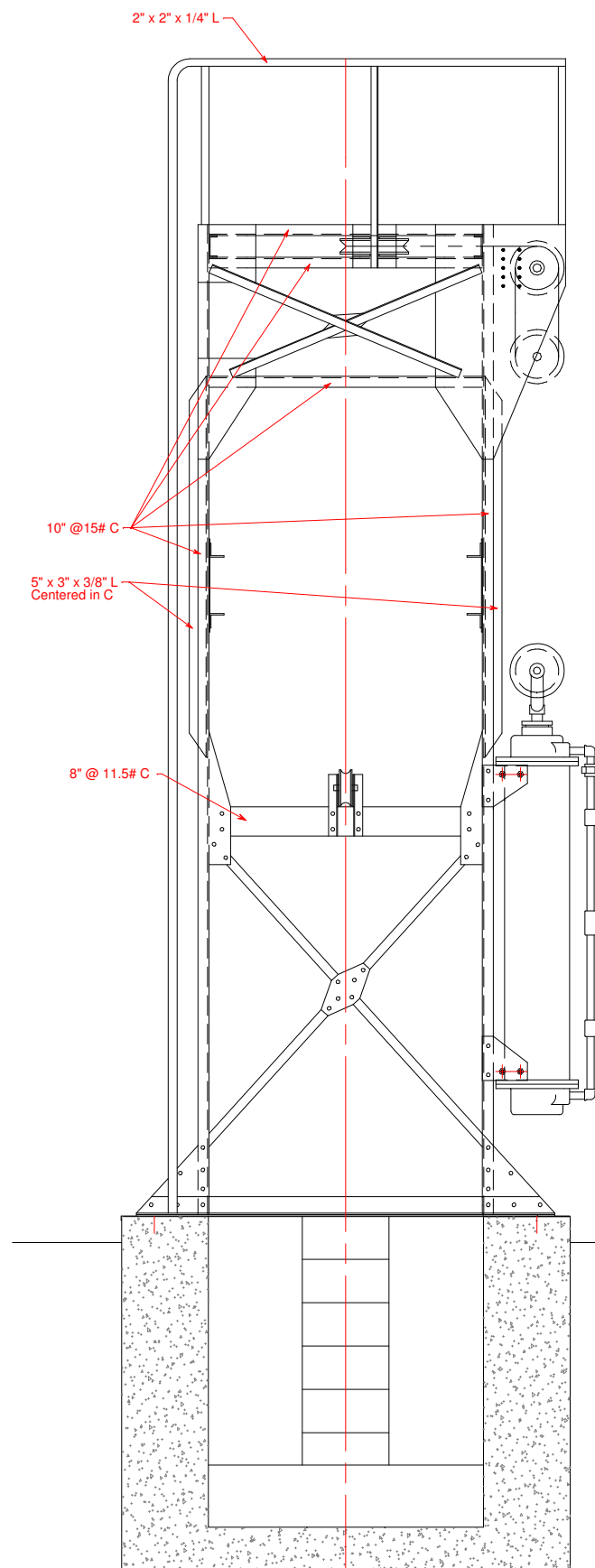
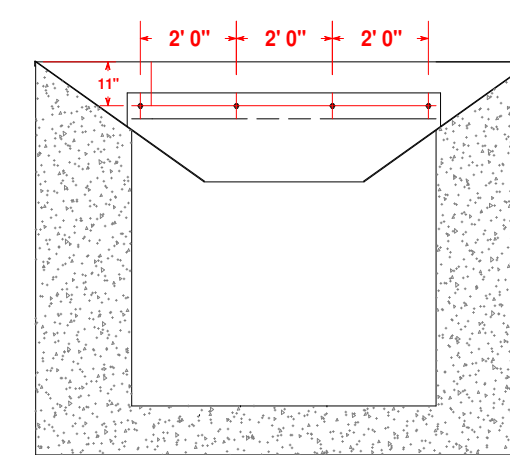
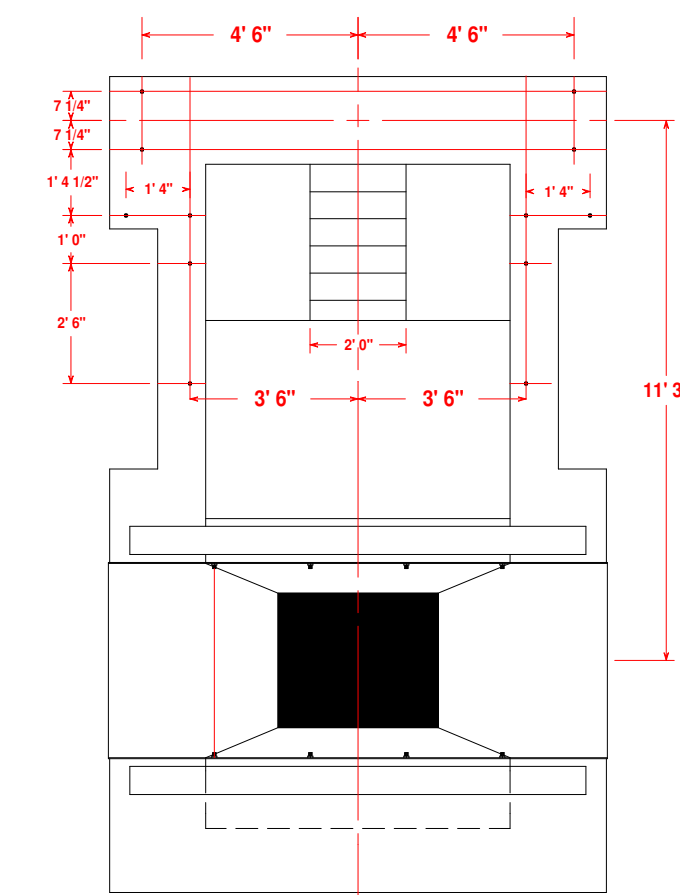
Top



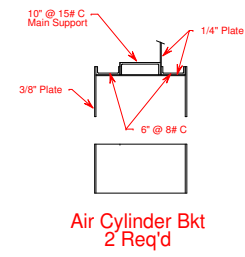
Top



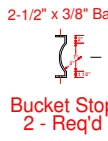
SECTION B - B



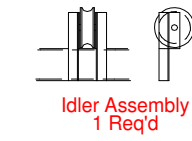
**CHILLINGSWORTH AIR
OPERATED UNIVERSAL
CINDER HOIST
Type S
March 8, 1924
Dwg. No. 268**



Air Cylinder Bkt
2 Req'd



Bucket Stop
2 - Req'd



Idler Assembly
1 Req'd

