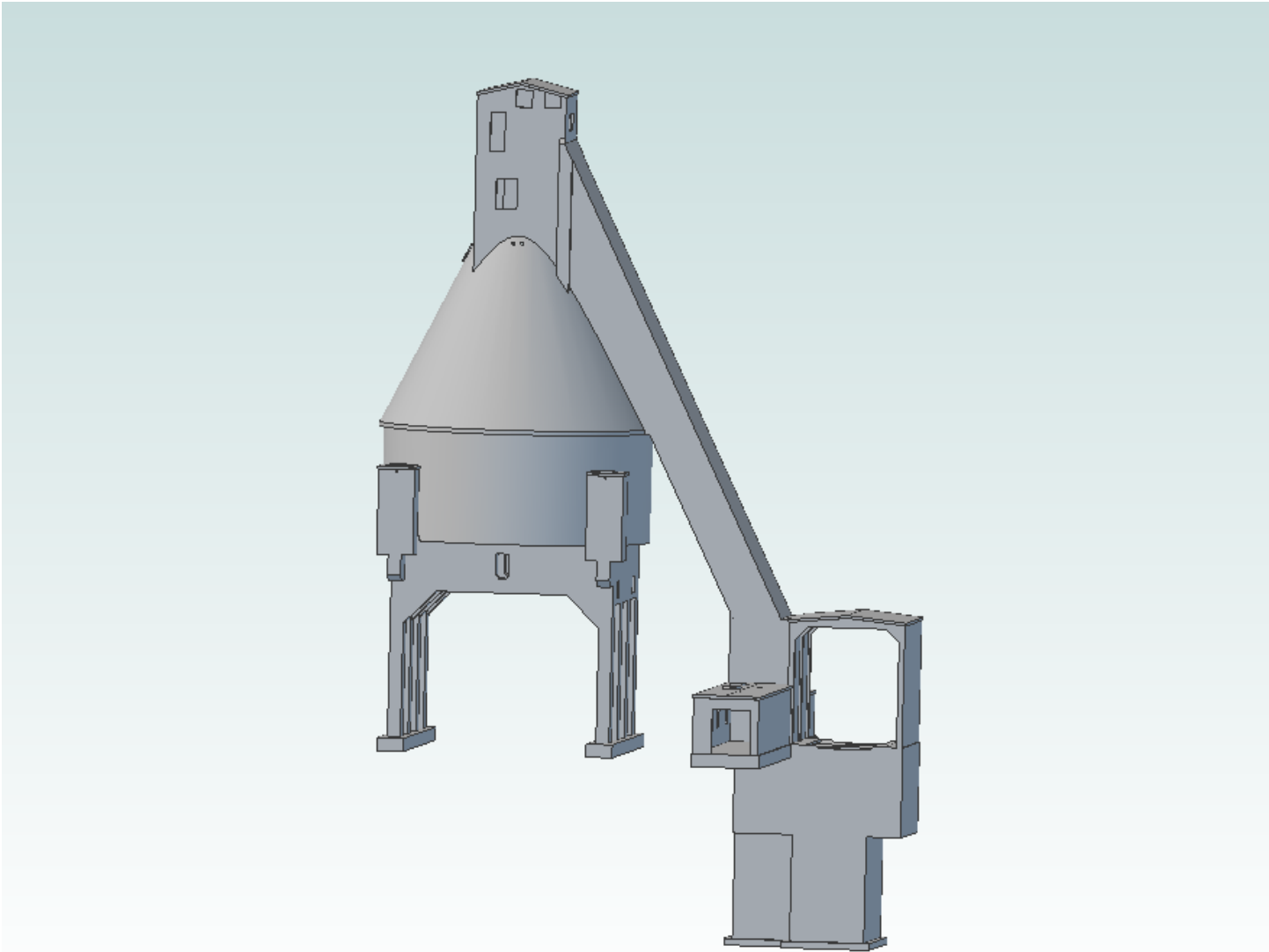
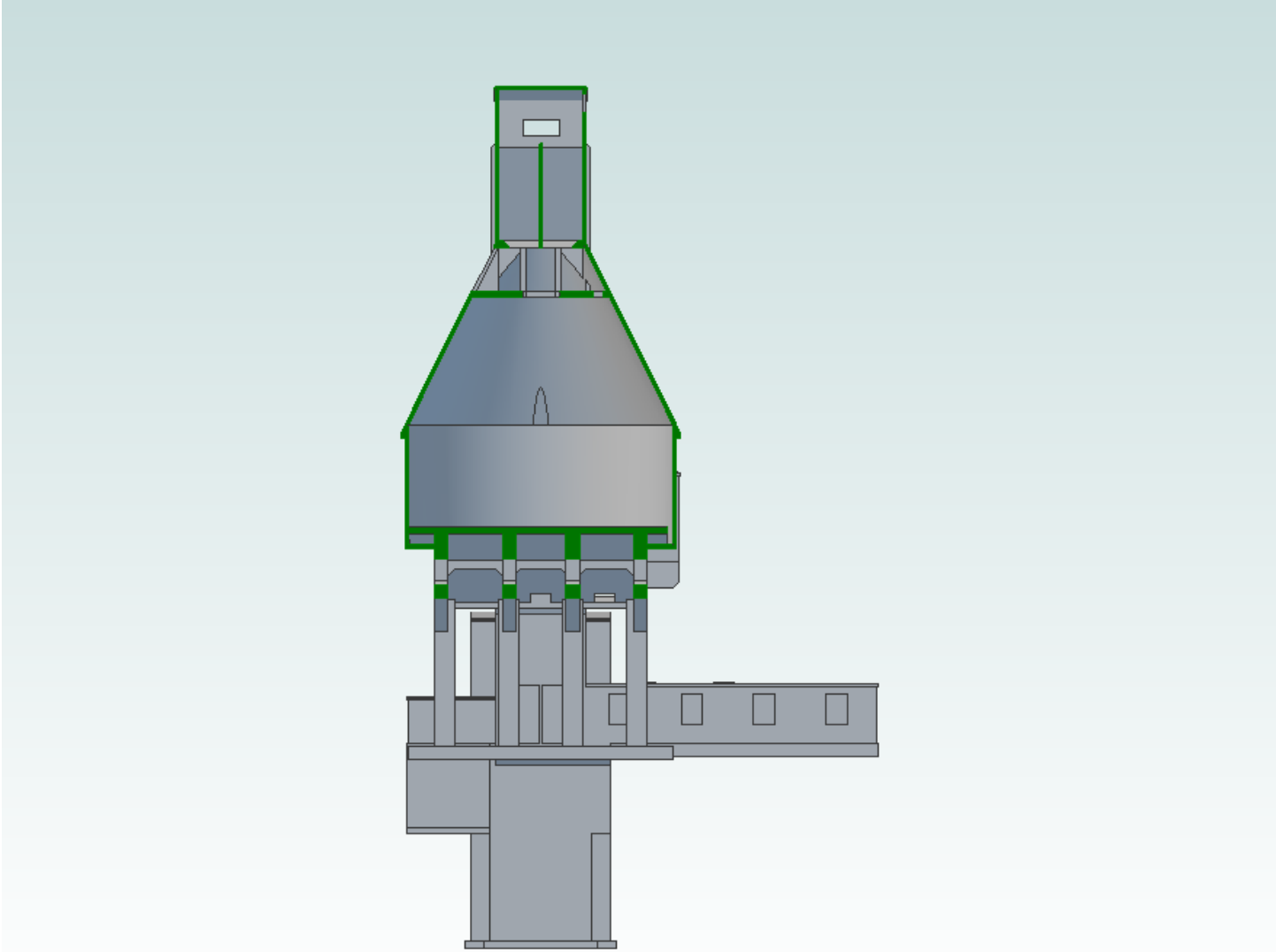


Fairbanks Morse & Co. 800 Ton Coal Dock



Hinton, West Virginia

Section Facing North



Plan Section View

