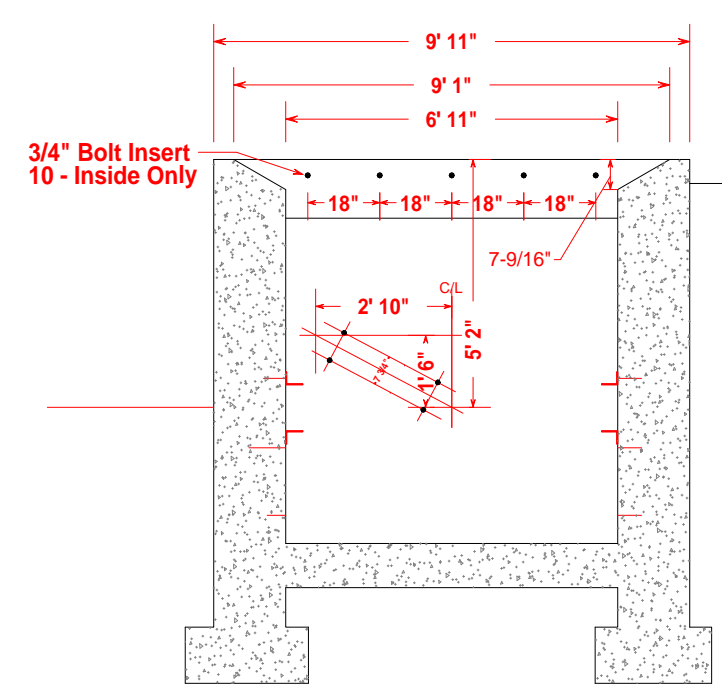
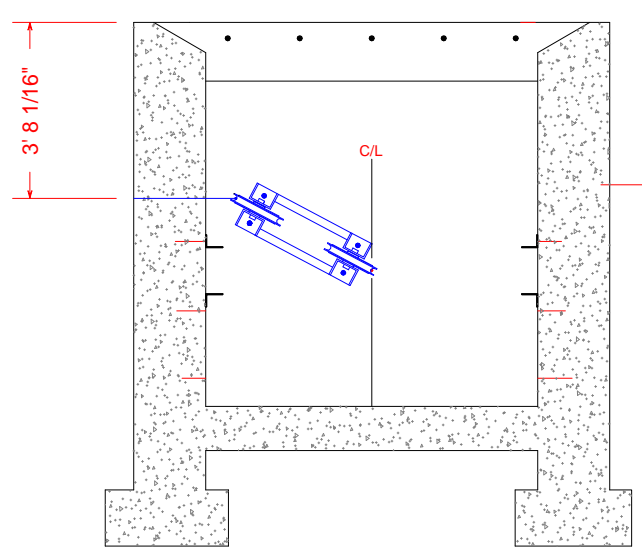
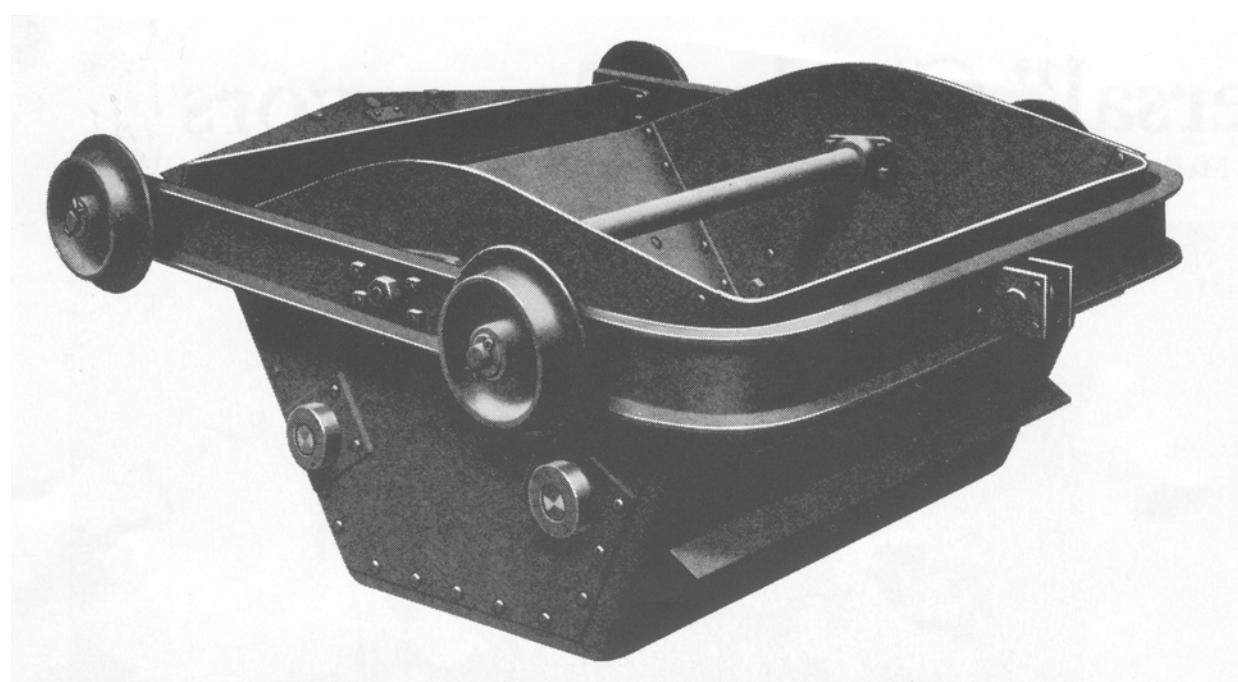
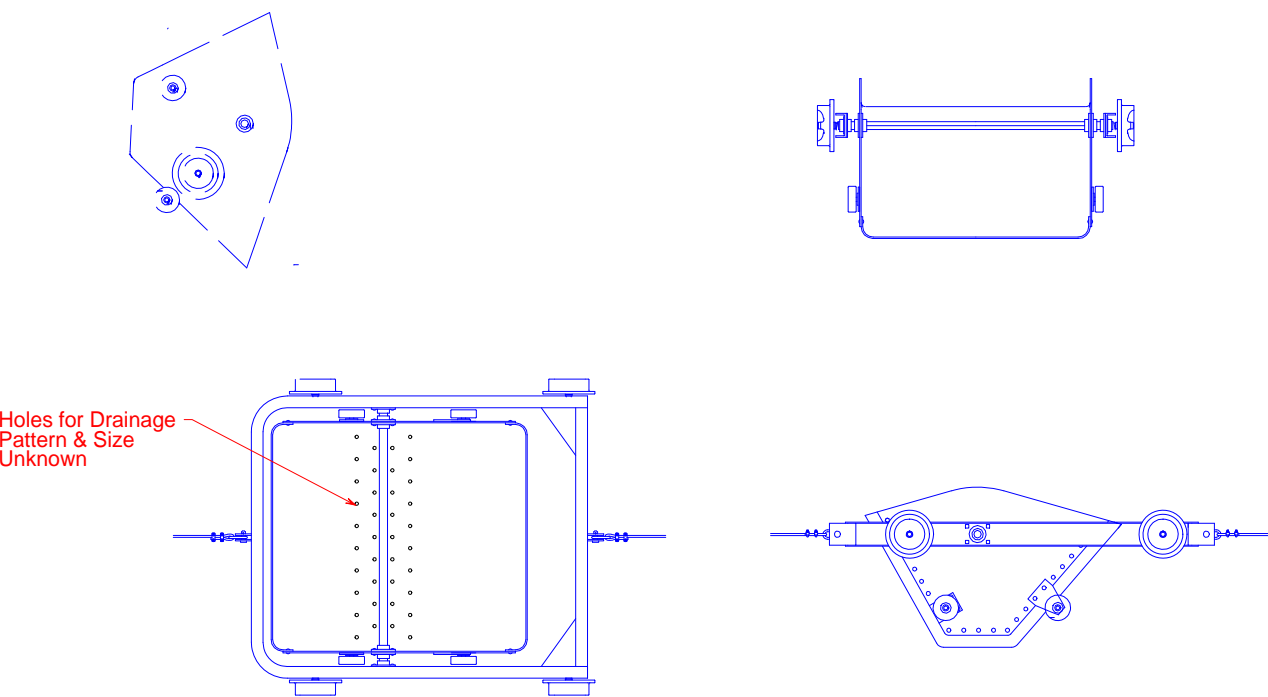


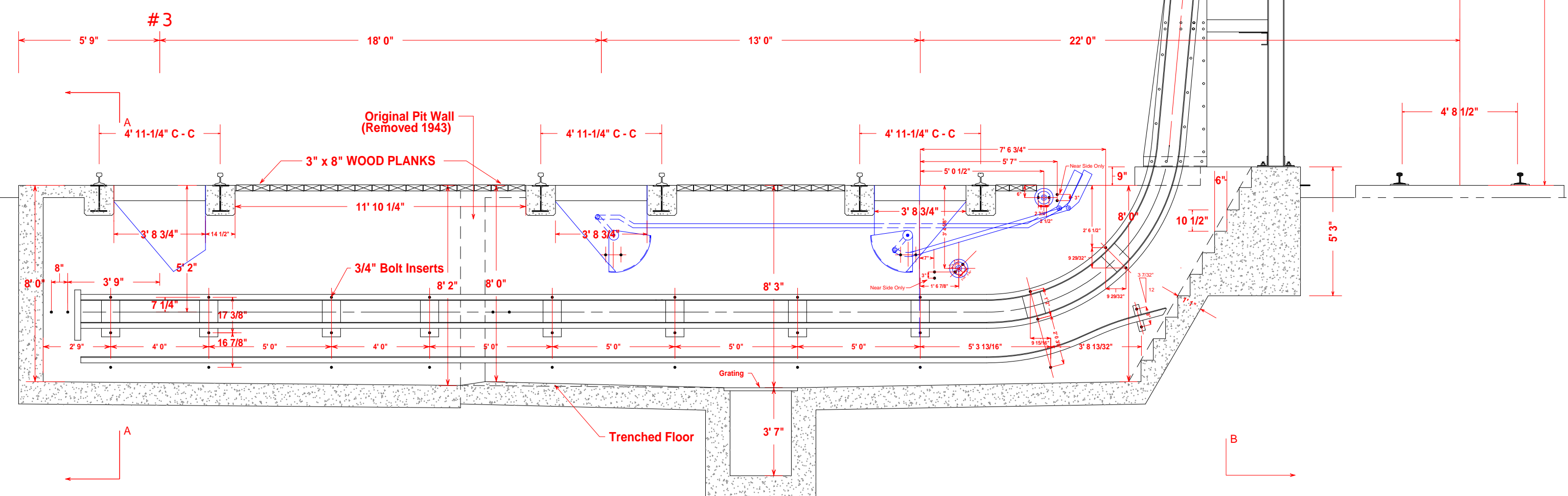
THE CHESAPEAKE AND OHIO RAILWAY COMPANY		
FAIRBANKS MORSE 60 Cu Ft CINDER CONVEYOR		
AT HINTON		
SUMMERS COUNTY	WEST VIRGINIA	
HINTON DIVISION --- NEW RIVER SUB-DIV.		
Scale: 1/4" = 1 Ft.	DRAWN BY:	6 / 2007
CIRCA 1943	WILLIAM E. SIMONTON III	

Items in BLUE are derived by author and not based on a scaled drawing.

Tracks #1 and #2 had hoppers to catch cinders when cinder dolley was not positioned to receive the cinders, but Track #3 did not. Author is not aware that the hoppers were removed on # 1 and #2 before cinder conveyor was retired.

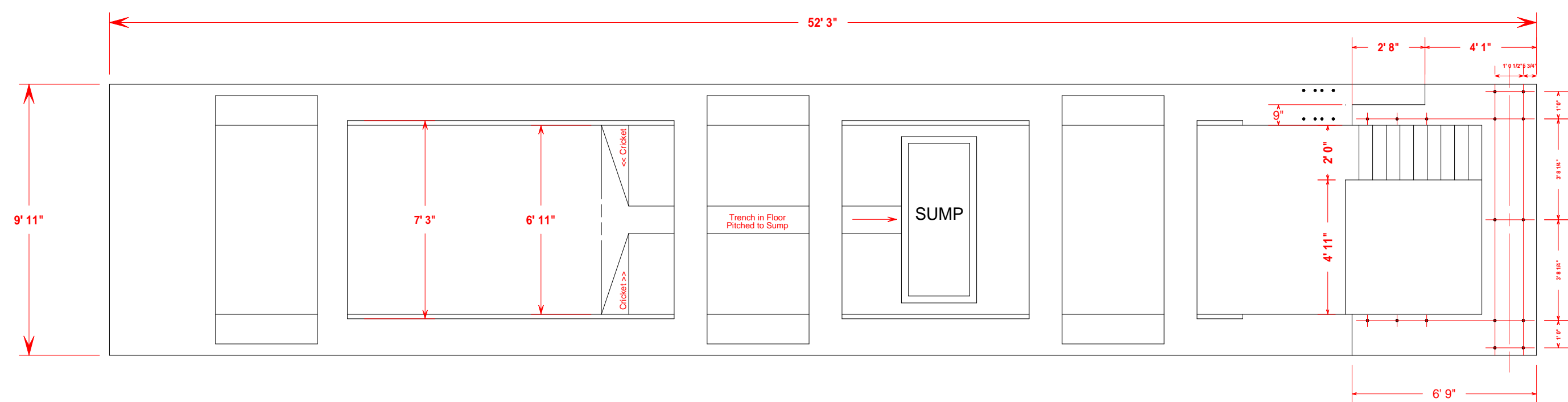


Section A - A



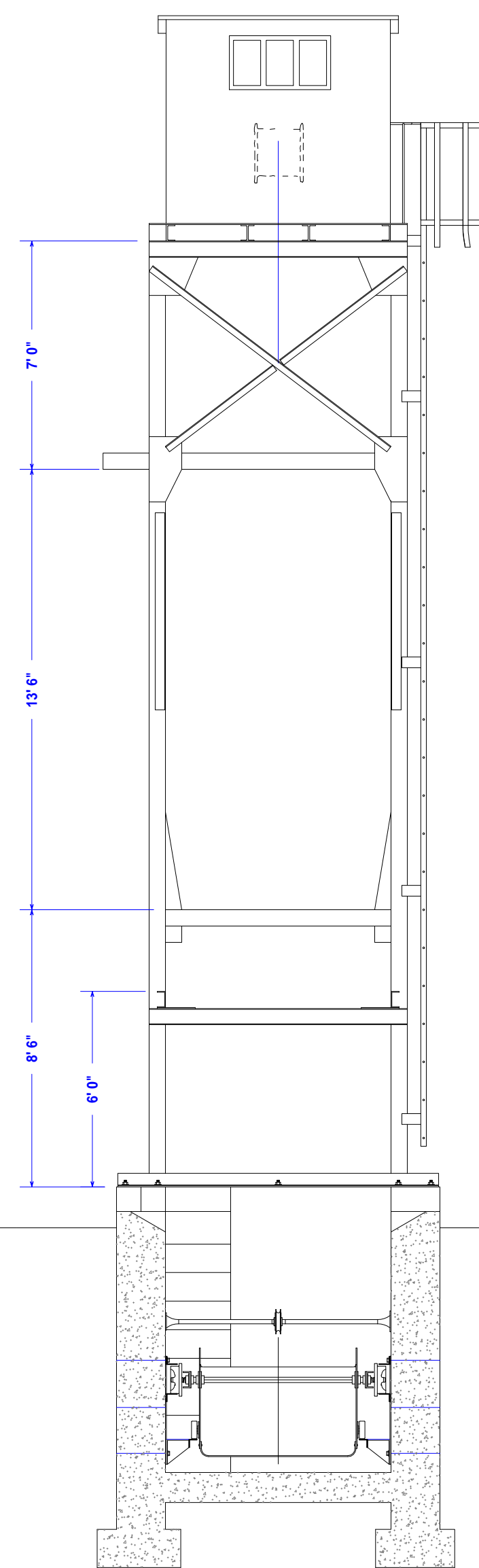
A

B



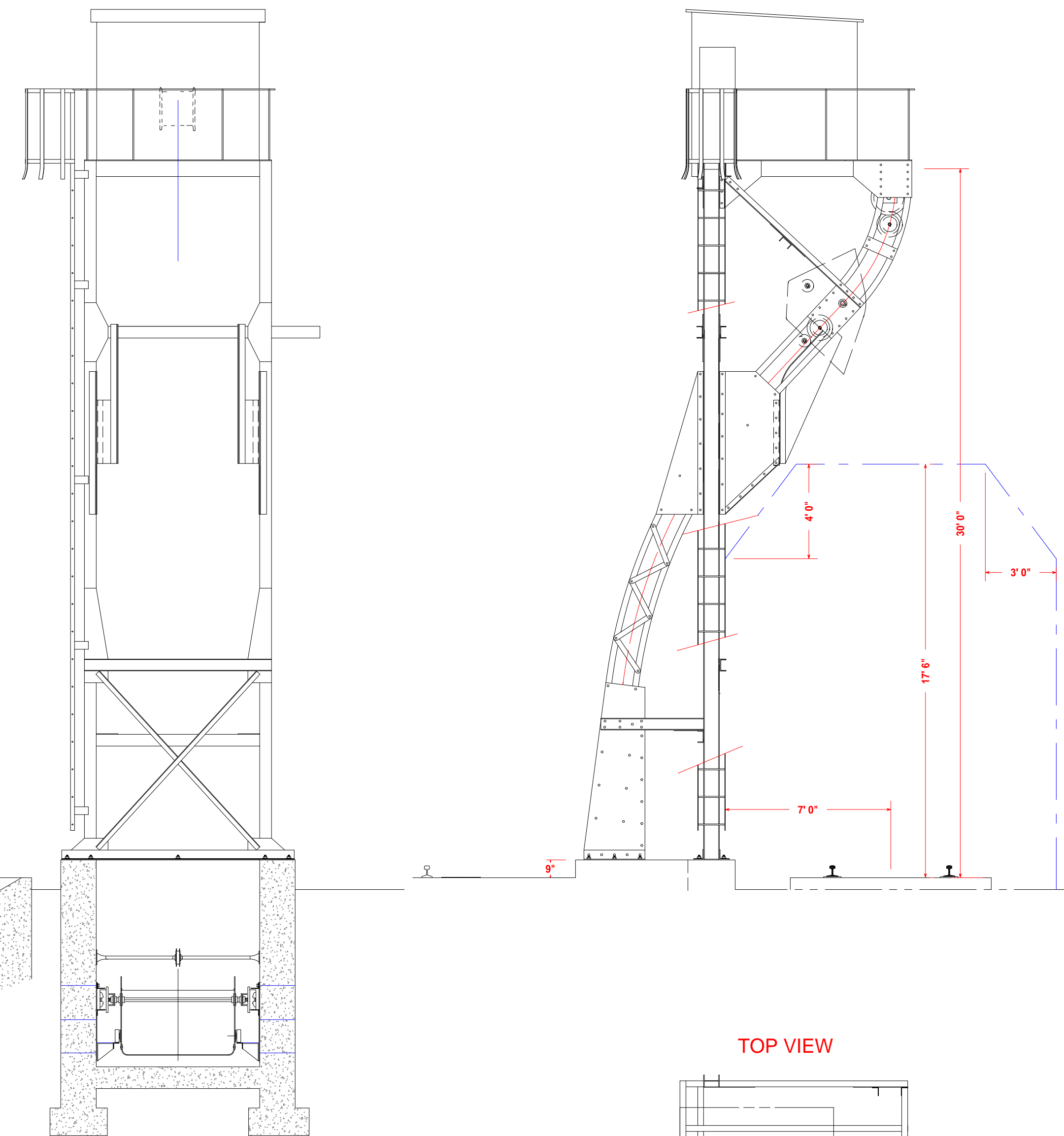
D

CINDER PIT SIDE ELEVATION



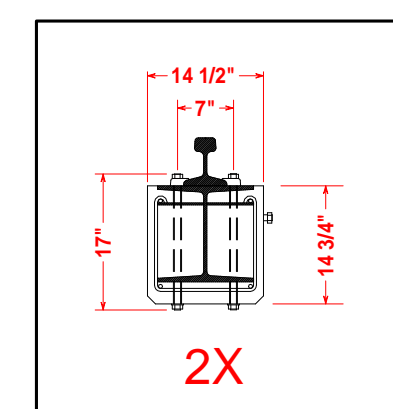
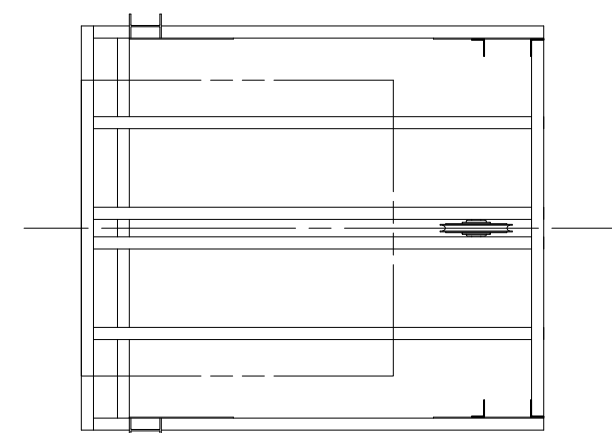
Section B - B

DUMP TRACK SIDE ELEVATION



Section C - C

TOP VIEW



SEE: F-M Dwg. No. 21281³
May 10, 1929
SEE: C & O Dwg. No. 18096-A
June 24, 1943
Red Dimensions from Drawings
Blue Dimensions Derived and Scaled